

Remote Control

For NORMA 4000/5000 Power Analyzer

Users Guide

June 2007 Rev.2, 5/12

© 2007-2012 Fluke Corporation. All rights reserved. Specifications subject to change without notice.
All product names are trademarks of their respective companies.

LIMITED WARRANTY AND LIMITATION OF LIABILITY

BY USING THIS SOFTWARE PRODUCT IN ANY MANNER, YOU ARE AGREEING TO ACCEPT THE FOLLOWING TERMS AND CONDITIONS.

Fluke Corporation (Fluke) grants you a non-exclusive right to use Fluke NORMA View software (Product) on a single PC or on multiple PCs. This grant of license does not include the right to copy, modify, rent, lease, sell, transfer or distribute the Product or any portion thereof. You may not reverse engineer, decompile, or disassemble the Product.

Fluke warrants that the Product will perform in its intended environment substantially in accordance with the accompanying written materials for a period of 90 days from the date of license acceptance. Fluke does not warrant any downloading errors or that the Product will be error free or operate without interruption.

FLUKE DISCLAIMS ALL OTHER WARRANTIES, EITHER EXPRESS OR IMPLIED, BUT NOT LIMITED TO IMPLIED WARRANTIES OF MERCHANTABILITY AND FITNESS FOR A PARTICULAR PURPOSE, WITH RESPECT TO THE SOFTWARE AND THE ACCOMPANYING WRITTEN MATERIALS. In no event shall Fluke be liable for any damages whatsoever (including, without limitation, indirect, consequential, or incidental damages, damages for loss of business profits, business interruption, loss of business information, or other pecuniary loss) arising out of the use of or inability to use this Product, even if Fluke has been advised of the possibility of such damages.

Fluke Corporation
P.O. Box 9090
Everett, WA 98206-9090
U.S.A.

Fluke Europe B.V.
P.O. Box 1186
5602 BD Eindhoven
The Netherlands

11/2001

To register your product online, visit <http://register.fluke.com/>.

Table of Contents

Chapter	Title	Page
1	Remote Control Basics	1-1
	Introduction.....	1-3
	Getting Started	1-3
	Assumptions	1-3
	Procedure.....	1-3
	Switchover to Remote Control.....	1-4
	Indications during Remote Control.....	1-4
	Return to Manual Operation	1-5
	Manually.....	1-5
	Remotely	1-5
	Commands and Instrument Responses	1-5
	Commands.....	1-5
	Device Responses.....	1-6
	Structure and Syntax of Device Messages.....	1-6
	Introduction to SCPI.....	1-6
	Structure of Commands.....	1-6
	Common Commands.....	1-6
	Device-Specific Commands	1-6
	Hierarchy.....	1-6
	Optional Key Word	1-7
	Long and Short Form	1-8
	Parameters	1-8
	Numerical Suffix.....	1-8
	Structure of Command Lines.....	1-8
	Responses to Queries.....	1-9
	Parameters	1-10
	Numerical values.....	1-10
	Boolean Parameters.....	1-10
	Text	1-10
	Strings	1-11
	Block data	1-11
	Overview of Syntax Elements	1-11
	Instrument Model and Command Processing.....	1-11
	Input Unit	1-12
	Command Recognition.....	1-12

	Data Set and Instrument Hardware.....	1-13
	Status Reporting System.....	1-13
	Output Unit.....	1-13
	Command Sequence and Command Synchronization.....	1-14
2	Status Reporting System.....	2-1
	Introduction.....	2-3
	Structure of an SCPI Status Register.....	2-3
	Overview of the Status Registers.....	2-5
	Description of Status Registers.....	2-6
	Status Byte (STB) and Service Request Enable Register (SRE).....	2-6
	Event Status Register (ESR) and Event Status Enable Register (ESE).....	2-7
	Application of the Status Reporting System.....	2-10
	Service Request, Making Use of the Hierarchy Structure (GPIB only).....	2-10
	Serial Poll (GPIB only).....	2-11
	Query by Means of Commands.....	2-11
	Error-Queue Query.....	2-11
	Resetting Values of the Status Reporting System.....	2-11
3	Hardware Interfaces.....	3-1
	Introduction.....	3-3
	IEC/IEEE-Bus Interface (GPIB) - optional.....	3-3
	Characteristics of Interface.....	3-3
	Bus Lines.....	3-3
	Interface Functions.....	3-5
	Interface Messages.....	3-5
	Universal Commands.....	3-5
	Addressed Commands.....	3-6
	RS-232-C Interface.....	3-6
	Characteristics of Interface.....	3-6
	Signal Lines.....	3-7
	Transmission Parameters.....	3-8
	Interface Functions.....	3-8
	Handshake.....	3-8
	IEEE 802.3 (Ethernet) – Optional.....	3-9
	Characteristics of Interface.....	3-9
	Signal Lines.....	3-10
	Connection Settings.....	3-11
	Universal Serial Bus (USB) - optional.....	3-11
	Characteristics of Interface.....	3-11
	Connection Settings.....	3-12
4	Remote Control - Description of Commands.....	4-1
	Introduction.....	4-3
	Common Commands.....	4-3
	Measurement Functions.....	4-5
	Commands and Queries.....	4-11
	ABORt Subsystem.....	4-11
	CALCulate Subsystem.....	4-12
	DISPlay Subsystem.....	4-26
	FORMat Subsystem.....	4-28
	Hardcopy Subsystem.....	4-31
	INITiate Subsystem.....	4-32

	INPut Subsystem	4-34
	OUTPut Subsystem	4-37
	ROUte Subsystem	4-38
	SENSe Subsystem	4-39
	SENSe2 Subsystem (Option Process Interface)	4-53
	SOURce Subsystem (Option Process Interface)	4-63
	SYNC Subsystem	4-66
	TIMer Subsystem	4-70
	TRACe Subsystem	4-72
	TRIGger Subsystem	4-77
	SYSTem Subsystem	4-82
	STATus Subsystem	4-87
	List of Commands Grouped by Subsystems	4-99
5	Error Messages	5-1
	Introduction.....	5-3
	Command Error	5-3
	Execution Error.....	5-5
	Device-Specific Error	5-7
	Query Error.....	5-8
6	Programming Examples	6-1
	Introduction.....	6-3
	Initialize Interface	6-3
	Initialize Instrument.....	6-5
	Perform Simple Power Measurement	6-6
	U, I, P Measurement	6-9
	Continuous Power Measurement	6-11
	U, I, P Measurement over Ethernet Interface without VISA Library	6-14
	U, I, P Measurement over RS-232 Interface without VISA Library	6-19

List of Tables

Table	Title	Page
1-1.	Synchronization by means of *OPC, *OPC? and *WAI	1-14
2-1.	Status Register Bits	2-6
2-2.	Event Status Register Bits	2-7
2-3.	STATus:OPERation Register Bits	2-8
2-4.	STATus:QUEStionable Register Bits	2-9
2-5.	STATus:QUEStionable:CURRent Register Bits	2-9
2-6.	STATus:QUEStionable:VOLTage Register Bits	2-10
2-7.	Resetting Instrument Functions.....	2-12
3-1.	Interface Functions.....	3-5
3-2.	Universal Commands	3-5
3-3.	Addressed Commands.....	3-6
3-4.	Control Characters for RS-232-C Interface.....	3-8

List of Figures

Figure	Title	Page
1-1.	Tree Structure of SCPI Command Systems Using INPut system as Example.....	1-7
1-2.	Device Model for Remote Control via the Remote Control Interface.	1-12
2-1.	Status Register Model	2-3
2-2.	Minimum Reporting Structure Required by SCPI	2-5
3-1.	Pin Assignment of IEC/IEEE-Bus Interface	3-3
3-2.	Pin Assignment of RS-232-C Interface.....	3-7
3-3.	Wiring of Data, Control, and Signalling Lines for Hardware Handshake	3-9
3-4.	Pin Assignment of IEEE 802.3 (Ethernet) Interface (RJ-45 Connector)	3-10
3-5.	IEEE 802.3 (Ethernet) Wiring of Signalling Lines	3-10
3-6.	Pin Assignment of USB Interface (Series B Receptacle).....	3-11

Chapter 1

Remote Control Basics

Title	Page
Introduction.....	1-3
Getting Started	1-3
Assumptions	1-3
Procedure.....	1-3
Switchover to Remote Control.....	1-4
Indications during Remote Control.....	1-4
Return to Manual Operation	1-5
Manually.....	1-5
Remotely	1-5
Commands and Instrument Responses	1-5
Commands.....	1-5
Device Responses.....	1-6
Structure and Syntax of Device Messages.....	1-6
Introduction to SCPI.....	1-6
Structure of Commands.....	1-6
Common Commands	1-6
Device-Specific Commands	1-6
Hierarchy.....	1-6
Optional Key Word.....	1-7
Long and Short Form	1-8
Parameters	1-8
Numerical Suffix.....	1-8
Structure of Command Lines.....	1-8
Responses to Queries.....	1-9
Parameters	1-10
Numerical values.....	1-10
Boolean Parameters.....	1-10
Text	1-10
Strings	1-11
Block data	1-11
Overview of Syntax Elements	1-11
Instrument Model and Command Processing.....	1-11
Input Unit	1-12
Command Recognition.....	1-12
Data Set and Instrument Hardware.....	1-13
Status Reporting System.....	1-13

Output Unit.....	1-13
Command Sequence and Command Synchronization.....	1-14

Introduction

This chapter provides basic information on remote control, for example on the RS 232-C interface, IEC/IEEE bus, interface and device messages, command processing, status reporting system, etc. The instrument is equipped with RS-232-C interface and optionally with an IEC/IEEE-bus interface according to standard IEC 625.1/IEEE 488.1. The connectors are located at the rear of the instrument and permit to connect a controller for remote control. The instrument supports the SCPI version 1999.0 (Standard Commands for Programmable Instruments). The SCPI standard is based on standard IEEE 488.2 and aims at the standardization of device-specific commands, error handling and the status registers.

For this section it is assumed that the user has basic knowledge of IEC/IEEE-bus programming and operation of the controller. A description of the interface commands will be found in the relevant manuals.

The requirements of the SCPI standard regarding command syntax, error handling and configuration of the status registers are explained in detail in the respective sections. Tables provide a fast overview of the bit assignment of the status registers. The tables are complemented by a comprehensive description of the status registers. A description of commands is given in this manual as well as programming examples for the main functions. The examples for IEC bus programming are all written using VISA C API.

Getting Started

The short operating sequence in this chapter will help you quickly get started with the instrument's basic functions and operation.

Assumptions

- Instrument will be connected to the port COM1 of the controlling computer. Default factory settings: Baud Rate = 115200, Data Bits = 8, Stop Bits = 1, Parity = None, Handshake = RTS/CTS.
- HyperTerminal program will be used to communicate with the instrument.

Procedure

1. Connect the instrument and the controlling computer.
2. Run HyperTerminal program on the controlling computer (Start > Programs > Accessories > Communication > HyperTerminal). HyperTerminal is a standard part of Windows operating system.
3. If you have never used/configured your HyperTerminal before:
 - In the displayed window **Connection Description** type into **Name: Fluke** and press OK.
 - In the next displayed window **Connect To** select in **Connect using: COM1** (or other if you use other com port) and press OK.
 - In the next displayed window **COM1 Properties** set the right properties.
 - Bits per second = 115200
 - Data bits = 8
 - Parity = None
 - Stop bits = 1
 - Flow control = Noneand press OK.

4. Go to File > Properties > Settings > ASCII Setup and check the following items:
 - Send line ends with line feeds
 - Echo typed characters locally
 - Append line feeds to incoming line endsand press OK twice.
5. In the main (white) window, type ***IDN?** and press **Enter**. (Do not make a mistake while typing, since all characters you type are immediately sent to instrument when you press a key on the keyboard. The backspace key will not erase mistyped characters. If you make a mistake while typing, press Enter several times. This will get things back in order).
6. The instrument will return the identification string, for example:
Fluke,NORMA4000,KN34512BA,01.00
7. In the main (white) window, type **DATA? "POW"** and press **Enter**. This will instruct the instrument to return last valid power measurement.
8. The instrument will return last valid power measurement, for example:
+1.23456E+02

Switchover to Remote Control

On power-up, the instrument is always in the manual control mode ("LOCAL" state) and can be operated via the front panel.

The instrument is switched to remote control ("REMOTE" state) as follows:

IEC/IEEE-bus: when it receives an addressed command from the controller with REN line set.

Other interfaces: when it receives a valid command terminated by line feed <LF> (=0Ah) from the controller in "SYSTEM:KLOCK REM" state or by this command explicitly.

During remote control, operation via the front panel is disabled. The instrument remains in the remote state until it is reset to the manual state via the front panel or via the remote control. Switching from manual to remote control and vice versa does not affect the instrument settings.

Indications during Remote Control

The remote control state is indicated by a two-way radio icon in the leftmost cell of the status line on the instrument's screen. A key icon in the 3rd cell of the status line indicates that the [LOCAL] key (F6/Esc) is disabled and switchover to manual control can only be made via the remote control. If the key icon is not displayed, switchover to manual control can be made with the [LOCAL] (F6/Esc) key.

Return to Manual Operation

Return to manual operation can be made via the front panel or the IEC/IEEE bus.

Manually

Press [LOCAL] key

Note

- Before switchover, command processing must be completed as otherwise switchover to remote control is effected immediately.
- The [LOCAL] key can be disabled either by command `SYSTEM:KLOCK ON` or universal command `LLO` (GPIB only) in order to prevent unintentional switchover. In this case, switchover to manual control is only possible via remote control.
- The [LOCAL] key can be enabled again either by command `SYSTEM:KLOCK OFF` or by deactivating the `REN` control line (GPIB only).

Remotely

GTL interface message (GPIB only)

Using `SYSTEM:KLOCK OFF` command

Commands and Instrument Responses

Instrument commands are transferred by the selected interface. With the exception of some device responses (binary data), ASCII code is used. On IEC/IEEE bus (GPIB) the commands and instrument responses are referred to as device messages. The commands and instrument responses are largely identical for all interface types. A distinction is made according to the direction in which device messages are sent on the interface.

Commands

Commands are messages the controller sends to the instrument. They operate the device functions and request information. Commands are subdivided according to two criteria:

1. According to the effect they have on the instrument.
 - Setting commands cause instrument settings such as reset of the instrument or setting the output level to 1 V.
 - Queries cause data to be provided for output (queries) on the interface, such as for device identification or polling of the active input.
2. According to their definition in standard IEEE 488.2.
 - Common Commands are exactly defined as to their function and notation in standard IEEE 488.2. They refer to functions such as the management of the standardized status registers, reset and selftest.
 - Device-specific commands refer to functions depending on the features of the instrument such as frequency setting. A majority of these commands has also been standardized by the SCPI committee.

Device Responses

Device responses are messages the instrument sends to the controller in reply to a query. They may contain measurement results or information on the instrument status.

The structure and syntax of device messages are described in the following section.

Structure and Syntax of Device Messages

Introduction to SCPI

SCPI (Standard Commands for Programmable Instruments) describes a standard command set for programming instruments, irrespective of the type of instrument or manufacturer. The objective of the SCPI consortium is to standardize the device-specific commands to a large extent. For this purpose, a model was developed that defines identical functions of a device or of different devices. Command systems were generated that are assigned to these functions and it is possible to address identical functions with identical commands. The command systems are of a hierarchical structure. Figure 1-1 illustrates this tree structure using a section of command system SOURce, which operates the signal sources of the devices. The other examples concerning syntax and structure of the commands are derived from this command system.

SCPI is based on standard IEEE 488.2 and uses the same basic syntax elements and common commands defined in this standard. Part of the syntax of the device responses is defined in greater detail than in standard IEEE 488.2 (see section "Responses to Queries").

Structure of Commands

The Commands consist of a header and, in most cases, one or several parameters. The header and the parameters are separated by a "white space" (ASCII code 0 to 9, 11 to 32 decimal, a blank). Headers may consist of several key words. Queries are formed by appending a question mark directly to the header.

Common Commands

Common (device-independent) commands consist of a header preceded by an asterisk "*" and of one or several parameters, if any.

Examples

*RST RESET, resets the instrument
*ESE 253 EVENT STATUS ENABLE, sets the bits of the event status enable register
*ESR? EVENT STATUS QUERY, queries the contents of the event status register

Device-Specific Commands

Hierarchy

Device-specific commands are of a hierarchical structure (see Figure 1-1). The different levels are represented by combined headers. Headers of the highest level (root level) have only one key word. This key word denotes a complete command system.

Example

:SYSTem

This key word denotes the :SYSTem command system. For commands of lower levels, the complete path has to be specified, starting on the left with the highest level, the individual key words being separated by a colon ":".

Example

INPut:COUPling AC

This command is at the second level of the INPut subsystem, see Figure 1-1. It selects AC coupling of the input channel.

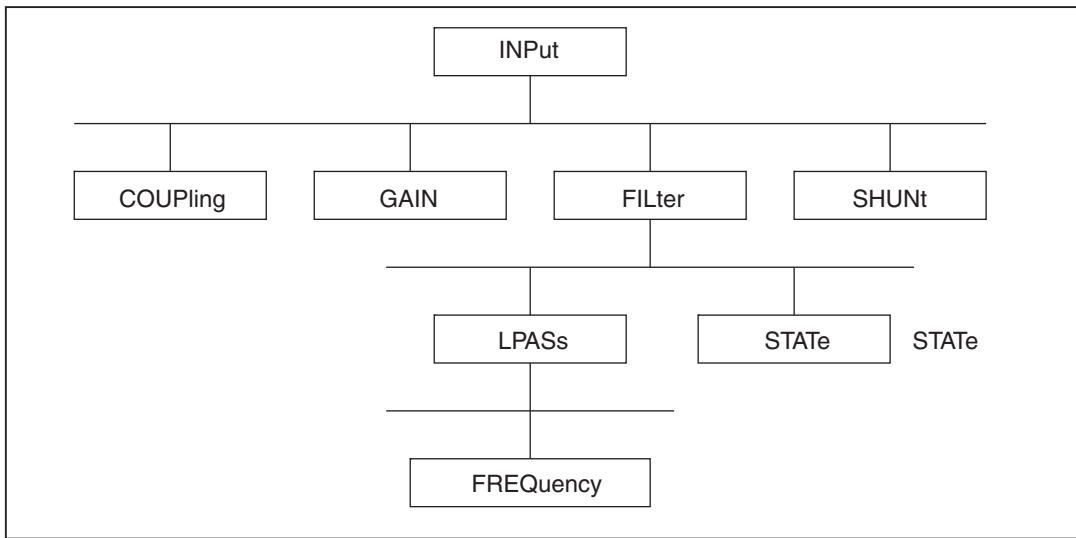


Figure 1-1. Tree Structure of SCPI Command Systems Using INPut System as Example

eya001.eps

Optional Key Word

Some command systems permit certain key words to be optionally inserted into the header or omitted. These key words are marked in the description by square brackets. The instrument must recognize the full command length for compatibility with the SCPI standard. Some commands can be considerably shortened by omitting optional key words.

Example

INPut:FILTer[:STATe] ON

This command enables the antialiasing filter to be inserted into the signal path before it is processed by SENSE subsystem. The following command has the same effect:

INPut:FILTer ON

Note

An optional key word must not be omitted if its effect is specified in greater detail by means of a numerical suffix.

Long and Short Form

Example

```
STATus:QUEStionable:ENABle 1  
STAT:QUES:ENAB 1
```

Note

The short form is characterized by upper-case letters, the long form corresponds to the complete word. Upper-case and lower-case notation only serve the above purpose, the device itself does not make any difference between upper-case and lower-case letters.

Parameters

A parameter must be separated from the header by a “white space.” If a command includes several parameters, they are separated by a comma “,”.

Example

```
FORMat:READings:DATA REAL,32
```

This command selects the binary 32-bit floating-point data format for data transfers.

Numerical Suffix

If a device has several functions or features of the same kind, such as inputs, the desired function can be selected by appending a suffix to the Command.

Entries without a suffix are interpreted like entries with the suffix 1 unless explicitly stated otherwise.

Example

```
INPut:COUPling DC
```

This command sets the input coupling on channel 1 to DC.

Measurement functions (parameters to command SENSE:FUNCTION) use numeric suffix to select the phase. If no suffix is specified, total value is configured.

Structure of Command Lines

A command line may contain one or several commands. It is terminated by <New Line>, <New Line> with EOI or EOI together with the last data byte (EOI applies only to GPIB interface). VISA automatically produces EOI together with the last data byte. Several commands in a command line are separated by a semicolon “;”. If the next command belongs to a different command system, the semicolon is followed by a colon.

Example

```
INPut1:COUPling DC;:SENSe:CURRent1:DC:RANGe 1.0
```

This command line contains two commands. The first command belongs to the INPUT subsystem and sets the input coupling of channel 1. The second command belongs to the SENSE subsystem and sets the current range on phase 1 to 1.0 A. (DC could be omitted as this is an optional keyword. For this instrument there is no difference between AC and DC range and both will set the same range.)

If the successive commands belong to the same system and have one or several levels in common, the command line can be abbreviated. To this end, the second command (after the semicolon) is started with the level that lies below the common levels (see also Figure 1-1). The colon following the semicolon must be omitted in this case.

Example

```
INPut1:SHUNt EXTernal;:INPut1:GAIN 25.0
```

This command line is represented in its full length and contains two commands separated from each other by the semicolon. The two commands belong to the INPut command subsystem and have one common level.

To abbreviate the command line, the second command is started with the level below INPut. The colon after the semicolon is omitted.

The abbreviated form of the command line reads as follows:

```
INPut1:SHUNt EXTernal;GAIN 25.0
```

However, a new command line always has to be started with the complete path.

Example

```
INPut1:SHUNt EXTernal
```

```
INPut1:GAIN 25.0
```

Responses to Queries

For each setting command, a query is defined unless explicitly specified otherwise. The query is formed by adding a question mark to the setting command in question. Responses to queries to the SCPI standard are partly subject to stricter rules than responses to the IEEE 488.2 standard.

1. The requested parameter is transmitted without header.

Example

```
INPut:COUPling?
```

```
Response: AC
```

2. Numerical values are output without a unit. Physical quantities are referred to the basic units or to the units set with the Unit command.

Example

```
INPut:FILTer:LPASs:FREQuency?
```

```
Response: 3.0E5 for 300 kHz
```

3. Truth values (Boolean parameters) are returned as 0 (for Off) and 1 (for On).

Example

```
INPut:FILTer:STATe?
```

```
Response: 1
```

4. Text (character data) is returned in a short form.

Example

INPut:SHUNt?

Response: EXT

5. If there are multiple queries in the command line, the responses are returned in the same order as the queries. The responses are separated by a semicolon.

Example

INPut:FILTer:STATe?;:INPut:FILTer:LPASs:FREQuency?

Response: 1;1.0E+04

Parameters

Most commands require a parameter to be specified. Parameters must be separated from the header by a “white space.” Permissible parameters are numerical values, Boolean parameters, text, character strings and block data. The parameter type required for a given command and the permissible range of values are specified in the command description.

Numerical values

Numerical values can be entered in any form: sign, decimal point, and exponent. Values exceeding the resolution of the instrument are rounded up or down. The mantissa may comprise up to 15 characters, the exponent must be in the value range -307 to 307. The exponent is preceded by an "E" or "e". Specifying the exponent alone is not permissible. In the case of physical quantities that have a unit, no unit is accepted, the basic unit is used.

Example

SENSe:VOLTAge1:RANGe 1000.0 sets range of 1000 V

Boolean Parameters

Boolean parameters represent two states. The ON state (logically true) is represented by ON or a numerical value unequal to 0. The OFF state (logically untrue) is represented by OFF or the numerical value 0. In the case of a query, 0 or 1 is returned.

Example

Setting command: SYNC:STATe ON

Query: SYNC:STATe?

Response: 1

Text

Text parameters follow the syntactic rules for key words. They can be entered using a short or a long form. Like any other parameter, they must be separated from the header by a “white space.” In the case of a query, the short form of the text is returned.

Example

Setting command: INPut1:SHUNt EXTernal

Query: INPut1:SHUNt?

Response: EXT

Strings

Strings must always be entered in inverted commas (' or ").

Example

```
ROUTe:SYSTem "3W"
ROUTe:SYSTem '3W'
```

Block data

Block data are a transmission format that is suitable for the transmission of large amounts of data from the instrument to the controller. The block data have the following structure:

Example

```
#40008xxxxxxxx
```

The data block is preceded by the ASCII character #. The next number indicates how many of the following digits describe the length of the data block. In the example, the four following digits indicate the length to be 8 bytes (skipping the leading zeros). This is followed by the data bytes. During the transmission of the data bytes, all End or other control signs are ignored until all bytes are transmitted. Data elements comprising more than one byte are transmitted with the byte being the first that was specified by the SCPI command "FORMat:BORDER". Internal structure of the data in the block depends on the actual instrument configuration.

Overview of Syntax Elements

Following is an overview of syntax elements:

- : The colon separates the key words of a command. In a command line the separating semicolon marks the uppermost command level.
- ; The semicolon separates two commands of a command line. It does not alter the path.
- ,
- ? The question mark forms a query.
- * The asterisk marks a common command.
- " Quotation marks introduce a string and terminate it.
- # ASCII character # introduces block data.

A "white space" (ASCII-Code 0 to 9, 11 to 32 decimal, blank) separates header and parameter.

Instrument Model and Command Processing

Figure 1-2 shows the processing of the interface commands. The individual components work independently of each other and simultaneously. They communicate with each other by means of messages.

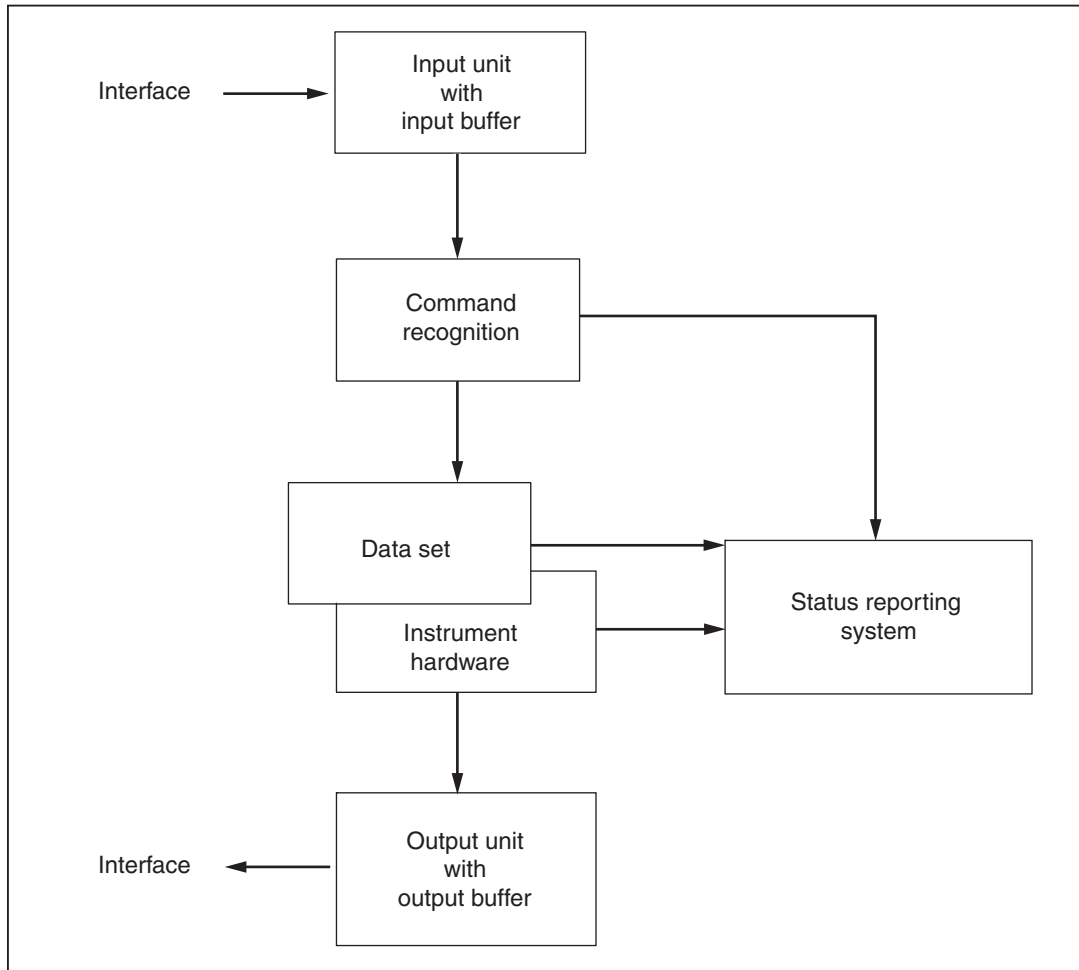


Figure 1-2. Device Model for Remote Control via the Remote Control Interface

eya002.eps

Input Unit

The input unit receives commands, character by character, from the interface and stores them in the input buffer. The input buffer has a size of 2048 characters. The input unit sends a message to the command recognition when the input buffer is full or when it receives a terminator, <PROGRAM MESSAGE TERMINATOR>, as defined in IEEE 488.2, or the interface message DCL (GPIB only).

If the input buffer is full, the interface traffic is stopped and the data received up to then are processed. After this, the interface traffic is continued. If, on receipt of a terminator, the input buffer is not full, the input unit can receive the next command during command recognition and execution. Receipt of a DCL (GPIB only) command clears the input buffer and immediately initiates a message to the command recognition.

Command Recognition

The command recognition analyzes the data from the input unit in the order the data are received. Only DCL (GPIB only) commands are serviced with priority, whereas GET commands (Group Execute Trigger, GPIB only), for example, are processed only after the previously received commands. Each recognized command is immediately transferred to the data set but without being executed there at once.

Syntactic errors in commands are detected here and transferred to the status reporting system. The rest of a command line following a syntax error is further analyzed and processed as far as possible.

If the command recognition recognizes a terminator or a DCL (GPIB only) command, it requests the data set to set the commands now also in the instrument hardware. After this, it is immediately ready to continue processing commands. This means that new commands can be processed while the hardware is being set ("overlapping execution").

Currently all commands sent to the instrument are executed non overlapped (=sequential).

Data Set and Instrument Hardware

The term "instrument hardware" is used here to designate the part of the instrument that actually performs the instrument functions: signal generation, measurement, etc. The controller is not included.

The data set is a detailed reproduction of the instrument hardware in the software. Interface setting commands cause an alteration of the data set. The data set management enters the new values (for example, frequency) into the data set but passes them on to the hardware only upon request by the command recognition. As this is only effected at the end of a command line, the sequence of setting commands in the command line is not relevant.

The data are only checked for compatibility among one another and with the instrument hardware immediately before they are transferred to the instrument hardware. If it is found that an execution is not possible, an "execution error" is signalled to the status reporting system. All alterations made to the data set are cancelled, and the instrument hardware is not reset. Due to the delayed checking and hardware setting, it is permissible that impermissible instrument states are briefly set within a command line without an error message being produced. At the end of the command line, however, a permissible instrument state must be attained.

Before the data are passed on to the hardware, the settling bit in the STATUS:OPERATION register is set. The hardware makes the settings and resets the bit when the new state has settled. This procedure can be used for synchronization of command processing.

Status Reporting System

The status reporting system collects information on the instrument state and makes it available to the output unit on request. A detailed description of the structure and function is given in Chapter 2.

Output Unit

The output unit collects the information requested by the controller and output by the data set management. The output unit processes the information in accordance with the SCPI rules and makes it available in the output buffer. The output buffer has a size of 2048 characters. If the requested information exceeds this size, it is made available in portions without this being recognized by the controller.

If the instrument is addressed as a talker without the output buffer containing data or awaiting data from the data set management, the output unit returns the error message "Query UNTERMINATED" to the status reporting system. No data are sent on the interface. The controller waits until it has reached its time limit. This procedure is specified by SCPI.

Interface queries cause the data set management to send the desired data to the output unit.

Command Sequence and Command Synchronization

As mentioned above, overlapping execution is possible for all commands. Likewise, the setting commands of a command line are not necessarily processed in the order they are received. To ensure that commands are carried out in a specific order, each command must be sent in a separate command line with a separate viWrite (viPrintf, viQueryf) call.

To prevent overlapping execution of commands, one of the commands *OPC, *OPC? or *WAI has to be used. Each of the three commands causes a certain action to be triggered only after the hardware has been set and has settled. The controller can be programmed to wait for the respective action to occur (see Table 1-1).

Table 1-1. Synchronization by Means of *OPC, *OPC? and *WAI

Command	Action after the hardware has settled	Programming of controller
*OPC	Sets the operation-complete bits in the ESR	- Setting of bit 0 in the ESE - Setting of bit 5 in the SRE - Waiting for a service request (SRQ)
*OPC?	Writes a "1" into the output buffer	Addressing of instrument as a talker
*WAI	Continues the IEC/IEEE-bus handshake. The handshake is not stopped.	Sending of next command

An example of command synchronization will be found in Chapter 6.

Command synchronization commands will work but are currently not needed (sequential execution).

Chapter 2

Status Reporting System

Title	Page
Introduction.....	2-3
Structure of an SCPI Status Register	2-3
Overview of the Status Registers	2-5
Description of Status Registers.....	2-6
Status Byte (STB) and Service Request Enable Register (SRE).....	2-6
Event Status Register (ESR) and Event Status Enable Register (ESE).....	2-7
Application of the Status Reporting System.....	2-10
Service Request, Making Use of the Hierarchy Structure (GPIB only)	2-10
Serial Poll (GPIB only)	2-11
Query by Means of Commands	2-11
Error-Queue Query	2-11
Resetting Values of the Status Reporting System	2-11

Introduction

The status reporting system stores all information on the current operating state of the instrument, for example on any errors that have occurred. This information is stored in status registers and in an error queue. The status registers and the error queue can be queried via the IEC/IEEE bus. The information is of a hierarchical structure. The highest level is formed by the status byte (STB) register defined in IEEE 488.2 and the associated service request enable (SRE) mask register. The STB register receives information from the standard event status register (ESR). It is also defined in IEEE 488.2 with the associated standard event status enable (ESE) mask register and from the registers STATUS:OPERation and STATUS:QUESTIONable. These are defined by SCPI and contain detailed information on the instrument.

The output buffer contains the messages the instrument returns to the controller. The output buffer is not part of the status reporting system but determines the value of the MAV bit in the STB register.

Structure of an SCPI Status Register

Each SCPI register consists of five parts each of 16 bits width that have different functions (see Figure 2-1). The individual bits are independent of each other. Each hardware status is assigned a bit number that is valid for all five parts. For example, bit 3 of the STATUS:OPERation register is assigned to the hardware status “Wait for trigger” for all five parts. Bit 15 (the most significant bit) is set to zero for all five parts. This allows the controller to process the contents of the register parts as a positive integer.

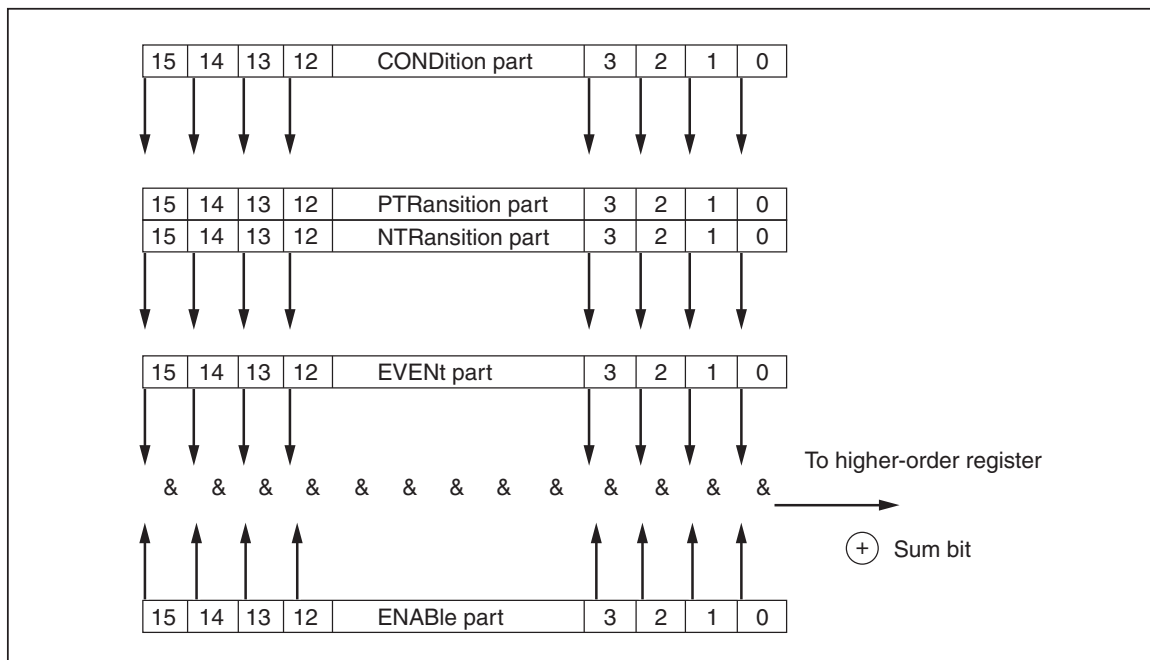


Figure 2-1. Status Register Model

eya003.eps

CONDition part	<p>The CONDition part is directly written to by the hardware or the sum bit of the next lower register. Its contents reflect the current instrument status. This register part can be read only but not written to or cleared. Reading does not affect the contents.</p>
PTRansition part	<p>The Positive Transition part acts as an edge detector. If a bit of the CONDition part changes from 0 to 1, the status of the associated PTR bit determines whether the EVENT bit is set to 1.</p> <p>PTR bit = 1: the EVENT bit is set.</p> <p>PTR bit = 0: the EVENT bit is not set.</p> <p>This part can be written to and read. Reading does not affect its contents.</p>
NTRansition part	<p>The Negative Transition part likewise acts as an edge detector. If a bit of the CONDition part changes from 1 to 0, the status of the associated NTR bit determines whether the EVENT bit is set to 1.</p> <p>NTR bit = 1: the EVENT bit is set.</p> <p>NTR bit = 0: the EVENT bit is not set.</p> <p>This part can be written to and read. Reading does not affect its contents.</p> <p>With the above two edge register parts, the user can define what status transition of the CONDition part (none, 0 to 1, 1 to 0 or both) is to be stored in the EVENT part.</p>
EVENT part	<p>The EVENT part indicates whether an event has occurred since it was read the last time; it is the memory of the CONDition part. It indicates only those events that were passed on by the edge filters. The EVENT part is continuously updated by the instrument. This part can be read only. Upon reading, its contents is set to zero. In linguistic usage, the EVENT part is often treated as equivalent to the complete register.</p>
ENABLE part	<p>The ENABLE part determines whether the associated EVENT bit contributes to the sum bit (see below). Each bit of the EVENT part is ANDed with the associated ENABLE bit (symbol &). The results of all logical operations of this part are passed on to the sum bit via an OR function (symbol +).</p> <p>ENABLE-Bit = 0: the associated EVENT bit does not contribute to the sum bit.</p> <p>ENABLE-Bit = 1: if the associated EVENT bit is 1, the sum bit is set to 1 as well.</p> <p>This part can be written to and read. Reading does not affect its contents.</p>
Sum bit	<p>As mentioned above, the sum bit is obtained from the EVENT part and the ENABLE part for each register. The result is entered as a bit of the CONDition part into the next higher register.</p> <p>The instrument automatically generates a sum bit for each register. It is ensured that an event, for example a PLL that has not locked, can produce a service request throughout all hierarchical levels.</p>

Note

The service request enable (SRE) register defined in IEEE 488.2 can be taken as the ENABLE part of the STB if the STB is structured in accordance with SCPI. Likewise, the ESE can be taken as the ENABLE part of the ESR.

Overview of the Status Registers

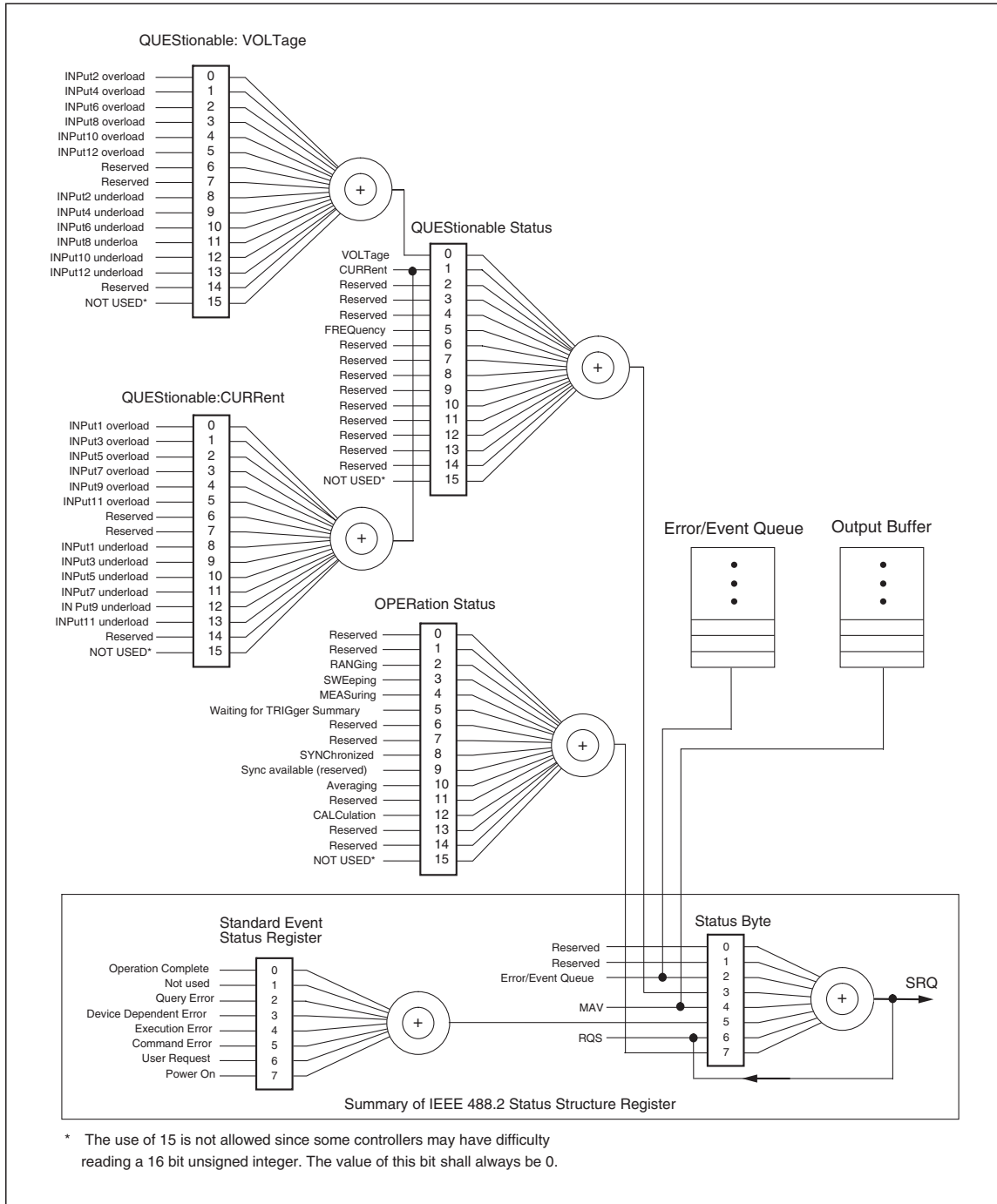


Figure 2-2. Minimum Reporting Structure Required by SCPI

eya004.eps

Description of Status Registers

Status Byte (STB) and Service Request Enable Register (SRE)

The STB is already defined in IEEE 488.2. It provides a rough overview of the instrument status by collecting the pieces of information of the lower registers. It can be compared with the CONDition part of an SCPI register and assumes the highest level within the SCPI hierarchy. A special feature is that bit 6 acts as the sum bit of the remaining bits of the status byte.

The status byte is read using the command *STB? or a serial poll.

The STB is assigned an SRE. The SRE functionally corresponds to the ENABle part of the SCPI registers. Each bit of the STB is assigned a bit of the SRE. Bit 6 of the SRE is ignored. If a bit is set in the SRE and the associated bit in the STB changes from 0 to 1, a service request (SRQ) is generated on the IEC/IEEE bus that triggers an interrupt in the controller (if the controller is configured correspondingly) and can be further processed there.

The SRE can be set using the command *SRE and read using the command *SRE?.

Table 2-1. Status Register Bits

Bit No.	Description
2	<p>Error Queue Not Empty</p> <p>This bit is set if an entry is made in the error queue. If the bit is enabled by the SRE, each entry in the error queue generates a service request. An error can be recognized and determined in greater detail by polling the error queue. The poll provides an informative error message. This procedure is recommended since it reduces the problems involved in IEC/IEEE-bus control.</p>
3	<p>QUESTionable Status sum bit</p> <p>This bit is set if an EVENT bit is set in the QUESTionable status register and the associated ENABle bit is set to 1. If the bit is set, this indicates a questionable instrument status that can be determined in greater detail by polling the QUESTionable status register.</p>
4	<p>MAV bit (Message AVailable)</p> <p>This bit is set if a message is available in the output buffer that can be read. The bit can be used for the automatic reading of data from the instrument to the controller (see Chapter 6).</p>
5	<p>ESB bit</p> <p>Sum bit of event status register. It is set if one of the bits of the event status register is set and enabled in the event status enable register. If the bit is set, this indicates a serious error that can be determined in greater detail by polling the event status register.</p>
6	<p>MSS bit (Master Status Summary bit)</p> <p>This bit is set if the instrument triggers a service request. This is the case if one of the other bits in this register is set together with its mask bit in the service request enable (SRE) register.</p>
7	<p>OPERation Status Register sum bit</p> <p>This bit is set if an EVENT bit is set in the OPERation status register and the associated ENABle bit is set to 1. If the bit is set, this indicates that the instrument is carrying out an action. The type of action can be determined by polling the OPERation status register.</p>

Event Status Register (ESR) and Event Status Enable Register (ESE)

The ESR is already defined in IEEE 488.2. It can be compared with the EVENT part of an SCPI register. The event status register can be read using the command *ESR?. The ESE is the associated ENABLE part. It can be set using the command *ESE and read using the command *ESE?

Table 2-2. Event Status Register Bits

Bit No.	Description
0	Operation Complete This bit is set on receipt of the command *OPC when all previous commands have been executed.
1	This bit is not used.
2	Query Error This bit is set if either the controller wants to read data from the instrument without having sent a query, or if it does not fetch requested data and sends new instructions to the instrument instead. The cause is often a query that is errored and hence cannot be executed.
3	Device-Dependent Error This bit is set if a device-dependent error occurs. An error message with a number between -300 and -399 or a positive error number, that denotes the error in greater detail, is entered into the error queue (see Chapter 5).
4	Execution Error This bit is set if a received command is syntactically correct but cannot be executed for other reasons. An error message with a number between -200 and -300, that denotes the error in greater detail, is entered into the error queue (see Chapter 5).
5	Command Error This bit is set if a command is received that is undefined or syntactically not correct. An error message with a number between -100 and -200, that denotes the error in greater detail, is entered into the error queue (see Chapter 5).
6	User Request This bit is set when the [LOCAL] key is pressed and the instrument is switched to manual control. This bit is not used.
7	Power On (AC supply voltage On) This bit is set on switching on the instrument.

STATus:OPERation Register

In the CONDition part, this register contains information on which actions the instrument is executing or, in the EVENT part, information on which actions the instrument has executed since the last reading. It can be read using the “STATus:OPERation:CONDition?” or “STATus:OPERation[:EVENT]?” commands.

Table 2-3. STATus.OPERation Register Bits

Bit No.	Description
0 to 1	These bits are not used.
2	RANGing This bit is set while the instrument is changing range on input channels when in autorange mode.
3	SWEeping When memory recording is in progress this bit is set to 1. When filling pretrigger or waiting for trigger this bit is not set.
4	Not used
5	Waiting for TRIGger Summary When memory recording is waiting for trigger after it has been initiated by INITiate[:IMMediate]:SEQUence1 or INITiate:CONTinuous:SEQUence1 ON, this bit is set. It is reset to zero when the trigger arrives.
6 to 7	These bits are not used.
8	SYNChronized This bit is set when the instrument is synchronized to valid SYNC source. This bit is set to 0 when SYNC:STATe is set to OFF.
9	SYNChronization Available (reserved) This bit is set if there is a valid synchronization signal present on at least one input channel. This bit is not used.
10	AVERaging This bit is set if the instrument is processing its averaging cycle. In free-run mode, at the end of each averaging cycle, this bit is set to 0 for a short period of time.
11	This bit is not used.
12	CALCulation This bit is set to 1 if the calculation is running. Once the calculation is completed, this bit is set to 0.
13 to 14	These bits are not used.
15	This bit is always 0.

STATus:QUEStionable Register

This register comprises information about indefinite states that may occur if the unit is operated without meeting the specifications. It can be queried by commands:

STATus:QUEStionable:CONDition? and STATus:QUEStionable[:EVENT]?

Table 2-4. STATus:QUEStionable Register Bits

Bit No.	Description
0	QUEStionable:VOLTagE Register Summary.
1	QUEStionable:CURREnt Register Summary.
2 to 4	These bits are not used.
5	FREQUency. The bit is set if frequency measurement is invalid due to poor signal quality.
6 to 14	These bits are not used.
15	This bit is always 0.

STATus:QUEStionable:CURREnt Register

This register comprises information about overload/underload states that may occur if the input current channel range is exceeded or the input signal is too low. It can be queried by the STATus:QUEStionable:CURREnt:CONDition? and STATus:QUEStionable:CURREnt[:EVENT]? commands.

Table 2-5. STATus:QUEStionable:CURREnt Register Bits

Bit No.	Description
0	INPut1 OVErRange
1	INPut3 OVErRange
2	INPut5 OVErRange
3	INPut7 OVErRange
4	INPut9 OVErRange
5	INPut11 OVErRange
6 to 7	These bits are not used.
8	INPut1 UNDErRange
9	INPut3 UNDErRange
10	INPut5 UNDErRange
11	INPut7 UNDErRange
12	INPut9 UNDErRange
13	INPut11 UNDErRange
14	This bit is not used.
15	This bit is always 0.

STATus:QUEStionable:VOLTagE Register

This register comprises information about overload/underload states that may occur if the input voltage channel range is exceeded or the input signal is too low. It can be queried by the STATus:QUEStionable:VOLTagE:CONDition? and STATus:QUEStionable:VOLTagE[:EVENT]? commands.

Table 2-6. STATUS:QUESTIONABLE:VOLTage Register Bits

Bit No.	Description
0	INPut2 OVERrange
1	INPut4 OVERrange
2	INPut6 OVERrange
3	INPut8 OVERrange
4	INPut10 OVERrange
5	INPut12 OVERrange
6 to 7	These bits are not used.
8	INPut2 UNDERrange
9	INPut4 UNDERrange
10	INPut6 UNDERrange
11	INPut8 UNDERrange
12	INPut10 UNDERrange
13	INPut12 UNDERrange
14	This bit is not used.
15	This bit is always 0.

Application of the Status Reporting System

To effectively use the status reporting system, the information contained there must be transmitted to the controller and further processed there. There are several methods that are represented in this section. Detailed program examples are found in Chapter 6.

Service Request, Making Use of the Hierarchy Structure (GPIB only)

Under certain circumstances, the instrument can send a service request (SRQ) to the controller. Usually this service request initiates an interrupt at the controller, to which the control program can react with corresponding actions. An SRQ is always initiated if one or several of bits 2, 3, 4, 5 or 7 of the status byte are set and enabled in the SRE. Each of these bits combines the information of a further register, the error queue or the output buffer. The corresponding setting of the ENABLE parts of the status registers can achieve that arbitrary bits in an arbitrary status register initiate an SRQ. In order to make use of the possibilities of the service request, all bits should be set to 1 in enable registers SRE and ESE.

Use of command “*OPC” to generate an SRQ. While waiting for the SRQ, the program may perform other tasks.

- Set bit 0 in the ESE (Operation Complete)
- Set bit 5 in the SRE (ESB)

After its settings have been completed, the instrument generates an SRQ. The SRQ is the only possibility for the instrument to become active on its own. Each controller program should set the instrument in a way that a service request is initiated in the case of malfunction. The program should react appropriately to the service request. A detailed example for a service request routine is in Chapter 6.

Indicating the end of an averaging cycle by an SRQ via bit 10 in the STATUS OPERATION Register. While waiting for the SRQ the program may perform other tasks.

- Set bit 7 in the SRE (summary bit of STATUS:OPERATION Register)
- Set bit 10 in the STATUS:OPERATION:ENABLE Register (Averaging)
- Set bit 10 in the STATUS:OPERATION:NTRANSITION to ensure that the transition of averaging bit 10 from 1 to 0 (Averaging) is also stored in the EVENT register. Calling up the *CLS command causes all bits of the NTRANSITION and PTRANSITION to be set to 1 so that any bit change is recorded. Enabling the enable bit, in this case bit 10, will normally be sufficient.

After having completed the averaging cycle, the instrument generates an SRQ.

Serial Poll (GPIB only)

In a serial poll, just as with command “*STB?” the status byte of an instrument is queried. However, the query is realized via interface messages and is faster. The serial-poll method has already been defined in IEEE 488.1 and used to be the only standard possibility for different instruments to poll the status byte. The method also works with instruments that do not adhere to SCPI or IEEE 488.2.

The VISA function for executing a serial poll is viReadSTB. Serial poll is mainly used to obtain a fast overview of the state of several instruments connected to the IEC bus (GPIB).

Query by Means of Commands

Each part of every status register can be read by means of queries. The individual commands are indicated in the detailed description of the status registers above. What is returned is always a number that represents the bit pattern of the register queried. Evaluating this number is effected by the controller program.

Queries are usually used after an SRQ in order to obtain more detailed information on the cause of the SRQ.

Error-Queue Query

Each error state in the instrument leads to an entry in the error queue. The entries of the error queue are detailed plain-text error messages that can be looked at in the ERROR menu via manual control or queried via the IEC bus using the “SYSTEM:ERROR?” command. Each call of “SYSTEM:ERROR?” provides an entry from the error queue. If no error messages are stored there any more, the instrument responds with 0, “No error.”

The error queue should be queried after every SRQ in the controller program as the entries describe the cause of an error more precisely than the status registers. Especially in the test phase of a controller program the error queue should be queried regularly since faulty commands from the controller to the instrument are recorded there as well.

Resetting Values of the Status Reporting System

Table 2-7 lists the different commands and events causing the status reporting system to be reset. None of the commands, except for *RST and SYSTEM:PRESet influences the functional instrument settings. In particular, DCL does not change the instrument settings.

Table 2-7. Resetting Instrument Functions

Event Effect	Switching on supply voltage	DCL,SDC (Device Clear, Selected Device Clear)	*RST	*CLS
Clear STB,ESR	yes	-	-	yes
Clear SRE,ESE	yes	-	-	-
Clear EVENTt parts of the Registers	yes	-	-	yes
Clear Enable parts of all OPERATION and QUESTIONABLE registers	yes	-	-	-
Fill PTRansition parts with 1, Clear NTRansition parts	yes	-	-	-
Clear error queue	yes	-	-	yes
Clear output buffer	yes	yes	1)	1)
Clear command processing and input buffer	yes	yes	-	-
Every command that is first in a command line, immediately following a <PROGRAM MESSAGE TERMINATOR>, clears the output buffer.				

Chapter 3

Hardware Interfaces

Title	Page
Introduction.....	3-3
IEC/IEEE-Bus Interface (GPIB) - optional	3-3
Characteristics of Interface.....	3-3
Bus Lines.....	3-3
Interface Functions.....	3-5
Interface Messages.....	3-5
Universal Commands.....	3-5
Addressed Commands.....	3-6
RS-232-C Interface.....	3-6
Characteristics of Interface.....	3-6
Signal Lines.....	3-7
Transmission Parameters.....	3-8
Interface Functions.....	3-8
Handshake.....	3-8
IEEE 802.3 (Ethernet) – Optional.....	3-9
Characteristics of Interface.....	3-9
Signal Lines.....	3-10
Connection Settings.....	3-11
Universal Serial Bus (USB) - optional.....	3-11
Characteristics of Interface.....	3-11
Connection Settings.....	3-12

Introduction

By default, the instrument is equipped with RS-232 interface. As an option, the instrument can also be equipped with IEC/IEEE-Bus Interface (GPIB).

IEC/IEEE-Bus Interface (GPIB) - optional

The instrument is optionally equipped with an IEC/IEEE-bus interface. The connector to IEEE 488 is provided at the rear of the instrument, see Figure 3-1. A controller for remote control can be connected via the interface. Connection is made using a shielded cable.

Characteristics of Interface

- 8-bit parallel data transmission
- Bidirectional data transmission
- Three-wire handshake
- High data transmission rate, max. 115 kB/s (measurement data), 1.2 MB/s (raw data)
- Up to 15 devices can be connected
- Maximum length of connecting cables 15 m (single connection 2 m)
- Wired OR if several instruments are connected in parallel

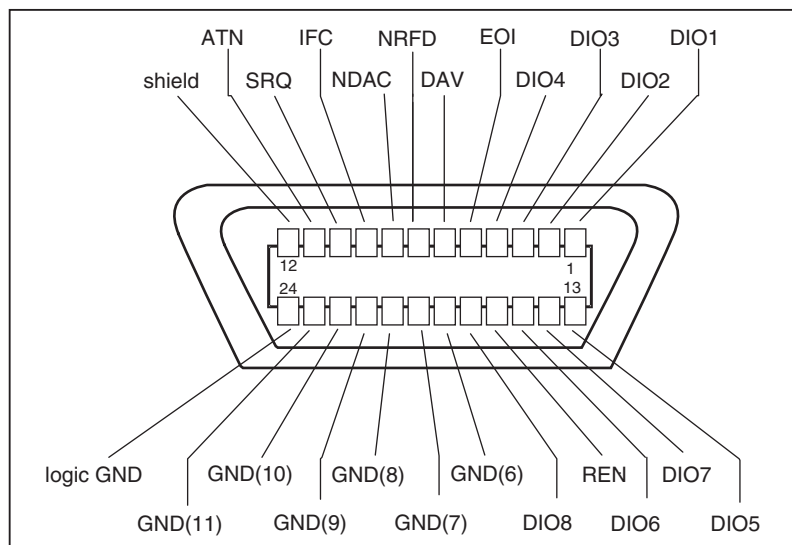


Figure 3-1. Pin Assignment of IEC/IEEE-Bus Interface

eya005.eps

Bus Lines

Data bus with 8 lines DIO 1 to DIO 8

Transmission is bit-parallel and byte-serial in ASCII/ISO code. DIO1 is the least significant bit, DIO8 is the most significant.

Control bus with 5 lines

IFC (Interface Clear):

Active LOW resets the interfaces of the instruments connected to the default setting.

ATN (Attention):

Active LOW signals the transmission of interface messages.

Inactive HIGH signals the transmission of device messages.

SRQ (Service Request):

Active LOW enables the instrument to send a service request to the controller.

REN (Remote Enable):

Active LOW enables switchover to remote control.

EOI (End or Identify):

This has two functions in conjunction with ATN:

ATN = HIGH Active LOW marks the end of a data transmission.

ATN = LOW Active LOW triggers a parallel poll.

Handshake bus with 3 lines

DAV (Data Valid):

Active LOW signals a valid data byte on the data bus.

NRFD (Not Ready For Data):

Active LOW signals that one of the devices connected is not ready to accept data.

NDAC (Not Data Accepted):

Active LOW as long as the instrument is accepting the data present on the data bus.

Interface Functions

Instruments that can be remote-controlled via the IEC/IEEE bus can be equipped with different interface functions. Table 3-1 lists the interface functions relevant for the instrument.

Table 3-1. Interface Functions

Control character	Interface functions
SH1	Handshake source function (Source Handshake).
AH1	Handshake drain function (Acceptor Handshake).
L4	Listener function.
T6	Talker function, ability to respond to serial poll.
SR1	Service request function (Service Request).
PP1	Parallel poll function <not implemented>
RL1	Remote/local switchover function <not implemented>
DC1	Reset function (Device Clear) <not implemented>
DT1	Trigger function (Device Trigger) <not implemented>

Interface Messages

Interface messages are transmitted to the instrument on the data lines, with the ATN (Attention) line being active LOW. These messages serve for communication between the controller and the instrument.

Universal Commands

Universal commands (see Table 3-2) are in the code range 10 to 1F hex. They act on all instruments connected to the bus without addressing them before.

Table 3-2. Universal Commands

Command	QuickBASIC command	Effect on the instrument
DCL (Device Clear) <not implemented>	IBCMD (controller%, CHR\$(20))	Aborts the processing of the commands just received and sets the command processing software to a defined initial state. Does not change the instrument setting.
IFC (Interface Clear)	IBSIC (controller%)	Resets the interfaces to the default state.
LLO (Local Lockout) <not implemented>	IBCMD (controller%, CHR\$(17))	Manual switchover to LOCAL is disabled.
SPE (Serial Poll Enable)	IBCMD (controller%, CHR\$(24))	Ready for serial poll.
SPD (Serial Poll Disable)	IBCMD (controller%, CHR\$(25))	End of serial poll.
PPU (Parallel Poll Unconfigure)	IBCMD (controller%, CHR\$(21))	End of parallel polling state.

Addressed Commands

Addressed commands are in the code range 00 to 0F hex. They only act on instruments addressed as listeners.

Table 3-3. Addressed Commands

Command	QuickBASIC command	Effect on the instrument
SDC (Selected Device Clear) <not implemented>	IBCLR (device%)	Aborts the processing of the commands just received and sets the command processing software to a defined initial state. Does not change the instrument setting.
GET (Group Execute Trigger) <not implemented>	IBTRG (device%)	Triggers a previously active instrument function (for example, a sweep). The effect of this command is identical to that of a pulse at the external trigger signal input.
GTL (Go to Local) <not implemented>	IBLOC (device%)	Transition to LOCAL state (manual control).
PPC (Parallel Poll Configure) <not implemented>	IBPPC (device%, data%)	Configures the instrument for parallel polling. The QuickBASIC command additionally executes PPE / PPD.

RS-232-C Interface

The instrument is fitted with an RS-232-C interface as standard. The 9-contact interface is provided at the rear of the unit, see Figure 3-2. A controller for remote control can be connected via the interface.

Characteristics of Interface

- Serial data transmission in asynchronous mode
- Bidirectional data transmission via two separate lines
- Selectable transmission rate from 1200 to 115200 baud
- Logic 0 signal level from +3 V to +15 V
- Logic 1 signal level from -15 V to -3 V
- An external unit (controller) can be connected
- Software handshake (XON, XOFF)
- Hardware handshake

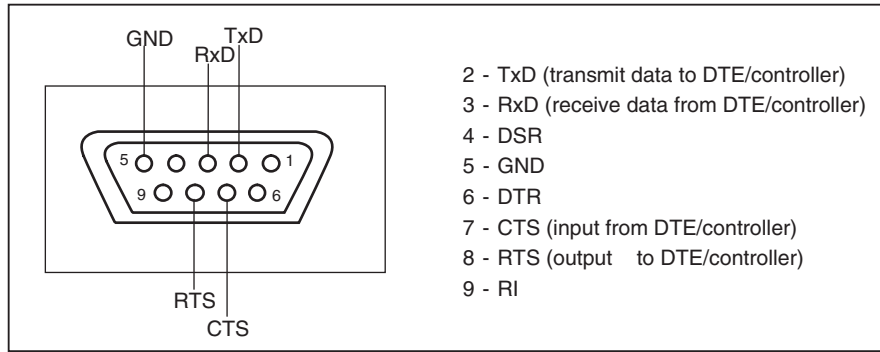


Figure 3-2. Pin Assignment of RS-232-C Interface

eya006.eps

Signal Lines

- RxD (Receive Data):
Data line; transmission from external controller to instrument.
- TxD (Transmit Data):
Data line; transmission from instrument to external controller.
- DTR (Data terminal ready):
Not used.
- GND (Ground):
Interface ground, connected to instrument ground.
- DSR (Data Set Ready):
Not used.
- RTS (Request To Send):
The device sets RTS line low (logic 0) when it cannot accept more data from the DTE/controller.
- CTS (Clear To Send):
The device stops transmitting data to the DTE/controller when it detects CTS line goes low.

Transmission Parameters

To ensure error-free and correct data transmission, the transmission parameters on the instrument and the controller must have the same settings. The settings are made in the General Setup screen of the instrument.

Transmission rate Eight different baud rates can be set on the instrument

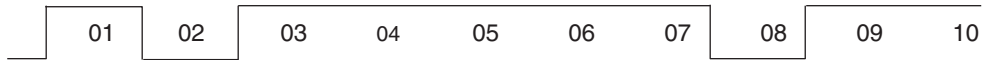
(baud rate) 1200, 2400, 4800, 9600, 19200, 38400, 57600, 115200

Data bits Data transmission is in 8-bit or 7-bit ASCII code. The LSB (least significant bit) is transmitted as the first bit.

Start bit The transmission of a data byte is initiated with a start bit. The falling edge of the start bit indicates the beginning of the data byte.

Parity bit Odd, Even, Zero, One, None

Stop bit The transmission of a data byte is terminated by a stop bit.



Bit 01 = start bit Bits 02 to 09 = data bits Bit 10 = stop bit
Bit duration = 1/baud rate

Example

Transmission of character A (41 hex) in 8-bit ASCII code

Interface Functions

For interface control, a number of control characters defined from 0 to 20 hex of the ASCII code can be transmitted via the interface.

Table 3-4. Control Characters for RS-232-C Interface

Control character	Interface functions
<Ctrl Q> 11 hex	Enable character output (XON).
<Ctrl S> 13 hex	Stop character output (XOFF).
Break (at least 1 character logic 0)	Clear input buffer of the instrument. All pending queries will be aborted. It is similar to IFC on GPIB interface.
0Ahex	Terminator <LF>. The instrument goes to remote state on receipt of this character together with a valid command.

Handshake

Software Handshake

The software handshake with the XON/XOFF protocol controls data transmission. If the receiver (instrument) wishes to inhibit the input of data, it sends XOFF to the transmitter. The transmitter then interrupts data output until it receives XON from the receiver. The same function is also provided at the transmitter end (controller).

Note

The software handshake is not suitable for the transmission of binary data, a hardware handshake is preferred.

Hardware Handshake

With a hardware handshake, the instrument signals readiness for reception via the lines DTR and RTS. A logic 0 identifies “ready,” a logic 1 identifies “not ready.”

Whether or not the controller is ready for reception is signalled to the instrument via the CTS or the DSR line (see section, “Signal Lines”). The transmitter of the instrument is switched on by a logic 0 and off by a logic 1. The RTS line remains active as long as the serial interface is active. The DTR line controls the instrument’s readiness for reception.

Wiring between Instrument and Controller

Wiring between the instrument and the controller is an extension cable (in case of a 9 pin controller connector), that is, the data, control, and signalling lines have straight-through wiring. The wiring diagram shown in Figure 3-3 applies to controllers with a 9-pin or 25-pin connector.

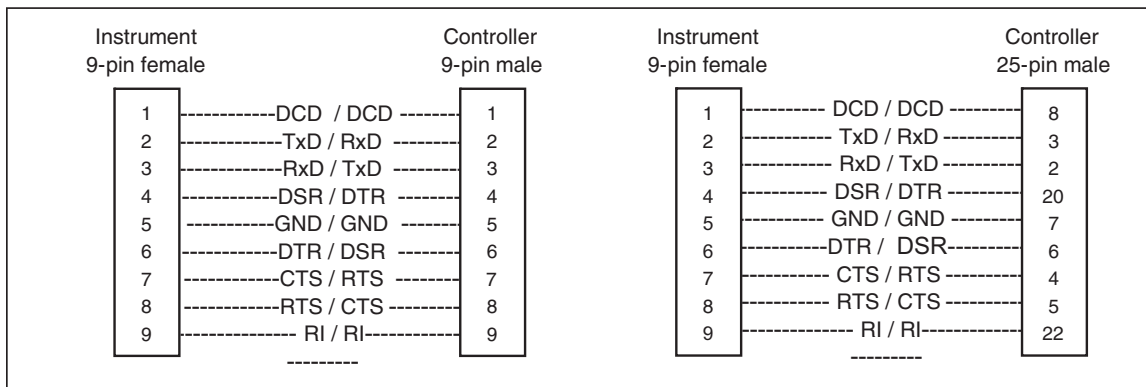


Figure 3-3. Wiring of Data, Control, and Signalling Lines for Hardware Handshake

eya008.eps

IEEE 802.3 (Ethernet) – Optional

The instrument is optionally equipped with IEEE 802.3 (Ethernet) interface. The connector to Ethernet interface (RJ-45) is provided at the rear of the instrument (see Figure 3-4). A controller for remote control can be connected via the interface. Connection is made using a twisted pair cable.

Characteristics of Interface

- Bidirectional TCP/IP data transmission
- 10/100 Mbps operation
- Half / Full duplex operation
- High data transmission rate, max. 240 kB/s (measurement data), 1.3 MB/s (raw data)

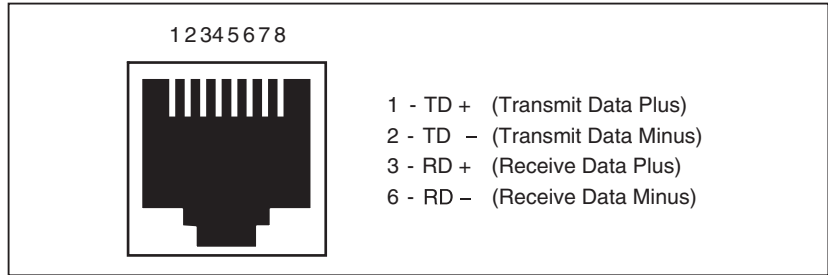


Figure 3-4. Pin Assignment of IEEE 802.3 (Ethernet) Interface (RJ-45 Connector)

eya009.eps

Signal Lines

- TD + Transmit Data Plus: the positive signal for the TD differential pair contains the serial output data stream transmitted from the instrument onto the network.
- TD - Transmit Data Minus: the negative signal for the TD differential pair contains the same output as pin 1 (TD +).
- RD + Receive Data Plus: the positive signal for the RD differential pair contains the serial input data stream received by instrument from the network.
- RD - Receive Data Minus: Receive data minus-the negative signal for the RD differential pair contains the same input as pin 3 (RD +).

Wiring between Instrument and Controller

Wiring between the instrument and the controller is by means of a twisted pair cable (with RJ-45 plugs). The wiring plan shown in Figure 3-5 applies to connection in local area network via hub/switch and direct connection (controller connected to the instrument directly using crossover cable).

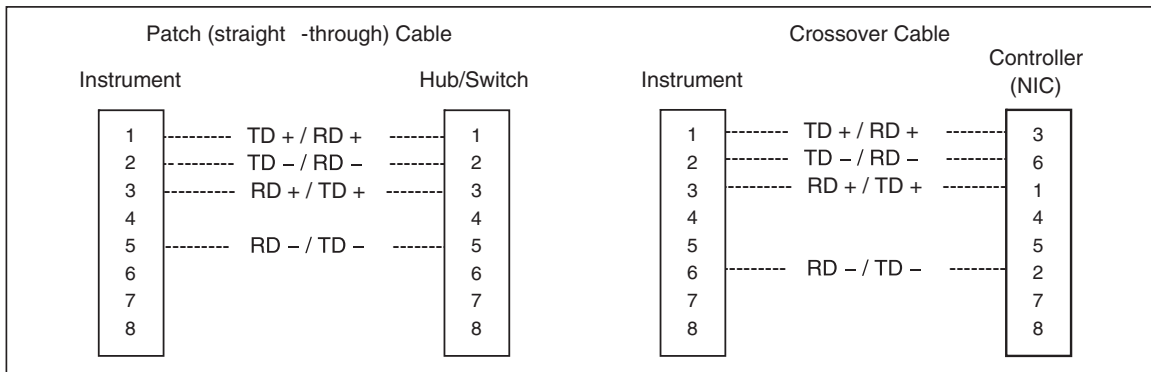


Figure 3-5. IEEE 802.3 (Ethernet) Wiring of Signalling Lines

eya010.eps

Connection Settings

To control the instrument over ethernet interface, a TCP/IP connection must be established first, using these settings:

- IP address Internet Protocol address of the instrument (for example, 192.168.1.100).
- TCP port number Transmission Control Protocol port number. Currently, this is fixed to number 23 (which is assigned to “telnet” service).
- IP subnet address mask Internet Protocol sub network address mask (for example, 255.255.255.0).
- IP gateway address Internet Protocol address of the gateway (for example, 192.168.1.1).

On the instrument side, the General Setup screen is used to configure these settings. When making a connection, the controller must use the instrument IP address and TCP port for the destination address.

Universal Serial Bus (USB) - optional

The instrument is optionally equipped with USB interface. The connector to USB interface (USB series “B” receptacle) is provided at the rear of the instrument, see Figure 3-6. A controller for remote control can be connected via the interface. Connection is made using USB A to USB B cable (also called USB A/B cable or series “A” plug to series “B” plug cable).

Characteristics of Interface

- Bidirectional USB data transmission (see Figure 3-6)
- USB 1.1 and USB 2.0 compatible
- Data transmission rate 800 kB/s (raw data)

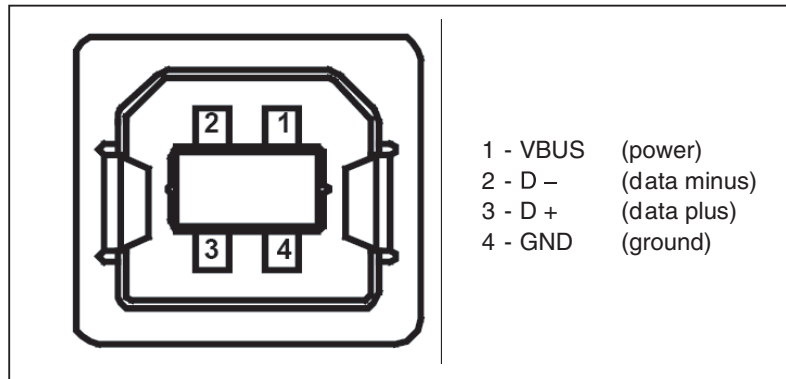


Figure 3-6. Pin Assignment of USB Interface (Series B Receptacle)

eya011.eps

Connection Settings

To control the instrument over USB interface, a serial port connection must be established first, using the VCP (Virtual COM Port) name (for example, COM3) that is associated with the USB interface of the instrument. This VCP name can be found in the Windows device manager under “Ports (COM & LPT).” You will find a port named “NORMA Power Analyzer USB Serial Port” when the instrument is powered on and connected to a PC via a USB cable.

On the instrument side, the General Setup screen is used to select the USB interface. No other setting needs to be made on the instrument side.

Chapter 4

Remote Control - Description of Commands

Title	Page
Introduction.....	4-3
Common Commands	4-3
Measurement Functions.....	4-5
Commands and Queries	4-11
ABORt Subsystem.....	4-11
CALCulate Subsystem	4-12
DISPlay Subsystem	4-26
FORMat Subsystem.....	4-28
Hardcopy Subsystem.....	4-31
INITiate Subsystem	4-32
INPut Subsystem	4-34
OUTPut Subsystem	4-37
ROUTE Subsystem	4-38
SENSe Subsystem	4-39
SENSe2 Subsystem (Option Process Interface)	4-53
SOURce Subsystem (Option Process Interface)	4-63
SYNC Subsystem	4-66
TIMER Subsystem	4-70
TRACe Subsystem	4-72
TRIGger Subsystem	4-77
SYSTEM Subsystem	4-82
STATus Subsystem	4-87
List of Commands Grouped by Subsystems.....	4-99

Introduction

In this chapter, all commands implemented in the instrument are first listed in tables and then described in detail, arranged according to the command subsystems. The notation is adapted to the SCPI standard. The SCPI conformity information is included in the individual description of the commands.

All commands can be used for control via all interfaces.

Common Commands

The common commands are taken from the IEEE 488.2 (IEC 625-2) standard. A particular command has the same effect on different devices. The headers of these commands consist of an asterisk “*” followed by three letters. Many common commands refer to the status reporting system that is described in Chapter 2.

Command	Parameter	Function	Comment
*CLS		Clear Status	no query
*ESE	0 to 255	Event Status Enable	
*ESR?		Standard Event Status Query	query only
*IDN?		Identification Query	query only
*OPC		Operation Complete	
*OPC?		Operation Complete Query	
*OPT?		Option Identification Query	query only
*RST		Reset	no query
*SRE	0 to 255	Service Request Enable	
*STB?		Status Byte Query	query only
*WAI		Wait to continue	no query
*SAV	10 to 24	Save User Setup	no query
*RCL	1 to 9 10 to 24	Recall Standard Setup Recall User Setup	no query
*LRN?		Learn Setup String	query only
*TRG		Trigger	no query

Command	Description
*CLS	CLEAR STATUS sets the status byte (STB), the standard event register (ESR) and the EVENT-part of the QUEStionable and the OPERation registers to zero. The command does not alter the mask and transition parts of the registers. It clears the output buffer.
*ESE 0 to 255	EVENT STATUS ENABLE sets the event status enable register to the value indicated. The query form *ESE? returns the contents of the event status enable register in decimal form.
*ESR?	STANDARD EVENT STATUS QUERY returns the contents of the event status register in decimal form (0 to 255) and subsequently sets the register to zero.
*IDN?	IDENTIFICATION QUERY queries the instrument identification. The response is for example: "Fluke,NORMA4000,KN34512BA,01.00" KN34512BA = Serial number of the instrument 01.00 = Firmware version number
*OPC	OPERATION COMPLETE sets bit 0 in the event status register when all preceding commands have been executed. This bit can be used to initiate a service request.
*OPC?	OPERATION COMPLETE QUERY writes message "1" into the output buffer as soon as all preceding commands have been executed.
*OPT?	OPTION IDENTIFICATION QUERY queries the options included in the instrument and returns a list of the options installed. The options are separated from each other by means of commas. Requests identification of the device options. Example of a device response: "Option1,Option2".
*RST	RESET sets the instrument to a defined default status. The default setting is indicated in the description of the commands.
*SRE 0 to 255	SERVICE REQUEST ENABLE sets the service request enable register to the indicated value. Bit 6 (MSS mask bit) remains 0. This command determines under which conditions a service request is generated. The query form *SRE? reads the contents of the service request enable register in decimal form. Bit 6 is always 0.
*STB?	READ STATUS BYTE QUERY reads out the contents of the status byte in decimal form.
*TRG	TRIGGER immediately starts the measurement if the instrument is in single-shot mode (INITiate:CONTInuous OFF). This command corresponds to INITiate:IMMEDIATE (see section "TRIGger subsystem"). If memory recording is configured, ARM and TRIGger layers are bypassed and the instrument immediately starts storing data. Synchronization condition must be met if synchronization is ON.
*WAI	WAIT-to-CONTINUE permits servicing of subsequent commands only after all preceding commands have been executed and all signals have settled.
*SAV 10 to 24	SAVE SETUP saves instrument setup into the specified user configuration memory.
*RCL 1 to 24	RECALL SETUP recalls instrument setup from the specified configuration memory.
*LRN?	LEARN SETUP STRING queries complete instrument setup. The setup is returned as a sequence of semicolon separated commands. If this sequence is sent to the instrument, the instrument configuration is fully restored.

The optional MINimum/MAXimum part of the function name specifies that extreme value of this function will be returned. After each averaging cycle, the new average value is compared against MIN/MAX registers, so the extreme values are acquired over many averaging cycles until they are reset with a specific command.

The MINimum/MAXimum capability is not the same as PHIGH/PLOW. PHIGH/PLOW returns highest/lowest sampled value found within the current averaging interval.

The MINimum/MAXimum capability must be enabled in CALCulate subsystem before it can be used as a <function>.

< The MINimum/MAXimum options are currently unimplemented. >

The optional IPOSitive/INEGative/INTEgral part of the function name specifies that summed value (integral) of this function will be returned. IPOSitive causes only the positive values of the function to be summed, INEGative causes only the negative values of the function to be summed, INTEgral provides the sum of both. The IPOSitive/INEGative/INTEgral capability must be enabled in CALCulate subsystem before it can be used as a <function>. The integrated values can be reset to zero with CALCulate:INTEgral:CLEar[:IMMEDIATE] command.

Base Instrument Measurement Functions

Note

If W2 system is selected, VOLTage31 is replaced by VOLTage13.

Function (Quantity)	Command	If no suffix (1st system) or 460 (2nd system) present
True RMS Voltage	VOLTage[1..6 460][:DC][:MINimum MAXimum]	Average Voltage trms
RMS without DC component	VOLTage[1..6 460]:AC[:MINimum MAXimum]	Average Voltage rms
True RMS phase-to-phase Voltage	VOLTage[12 23 31 45 56 64][:DC][:MINimum MAXimum]	
Rectified Mean phase-to-phase Voltage	VOLTage[12 23 31 45 56 64]:RMEAN[:MINimum MAXimum]	
Rectified Mean phase-to-phase Voltage Corrected	VOLTage[12 23 31 45 56 64]:RMCORR[:MINimum MAXimum]	
phase-to-phase Voltage Harmonic	VOLTage[12 23 31 45 56 64]:HAR[:MINimum MAXimum]	
phase-to-phase Voltage Form Factor	VOLTage[12 23 31 45 56 64]:FFACTor[:MINimum MAXimum]	
phase-to-phase Voltage THD	VOLTage[12 23 31 45 56 64]:THD[:MINimum MAXimum]	

phase-to-phase Voltage Harmonic Content	VOLTage[12 23 31 45 56 64]:HCONTent[:MINimum MAXimum]	
phase-to-phase Voltage Fundamental Content	VOLTage[12 23 31 45 56 64]:FCONTent[:MINimum MAXimum]	
phase-to-phase Absolute Voltage Phase	VOLTage[12 23 31 45 56 64]:PHASe[:MINimum :MAXimum]	
Average true RMS phase-to-phase Voltage	VOLTage123 456[:DC][:MINimum MAXimum]	
Average Mean phase-to-phase Voltage	VOLTage123 456:MEAN[:MINimum MAXimum]	
Average Rectified Mean phase-to-phase Voltage	VOLTage123 456:RMEAN[:MINimum MAXimum]	
Average Rectified Mean phase-to-phase Voltage Corrected	VOLTage123 456:RMCORR[:MINimum MAXimum]	
Average phase-to-phase Voltage Harmonic	VOLTage123 456:HAR[:MINimum MAXimum]	
Mean value of Voltage	VOLTage[1..6 460]:MEAN[:MINimum MAXimum] IPOSitive INEGative INTEgral]	Average Mean Voltage
Rectified Mean Voltage	VOLTage[1..6 460]:RMEAN[:MINimum MAXimum]	Average Rectified Mean Voltage
Rectified Mean Voltage Corrected	VOLTage[1..6 460]:RMCORR[:MINimum MAXimum]	Average Rectified Mean Voltage Corrected
Peak-to-peak Voltage	VOLTage[1..6]:PTP[:MINimum MAXimum]	
Highest value within averaging interval	VOLTage[1..6]:PHIGH[:MINimum MAXimum]	
Lowest value within averaging interval	VOLTage[1..6]:PLOW[:MINimum MAXimum]	
Voltage Harmonic	VOLTage[1..6 460]:HAR[:MINimum MAXimum] (order selectable with CALCulate:HARMonic:ORDer)	Average Voltage Harm

Remote Control

Users Guide

Voltage Crest Factor	VOLTage[1..6]:CFACtor[:MINimum MAXimum]	
Voltage Absolute Phase	VOLTage[1..6]:PHASe[:MINimum MAXimum] (relative to synchronization signal)	
Voltage Form Factor	VOLTage[1..6]:FFACtor[:MINimum MAXimum]	
Voltage Harmonic Content	VOLTage[1..6]:HCONTent[:MINimum MAXimum]	
Voltage Fundamental Content	VOLTage[1..6]:FCONTent[:MINimum MAXimum]	
Voltage THD	VOLTage[1..6]:THD[:MINimum MAXimum]	
True RMS Current	CURRent[1..6 460]:[DC]:[:MINimum MAXimum]	Average Current trms
RMS without DC component	CURRent[1..6 460]:AC[:MINimum MAXimum]	Average Current rms
Mean value of Current	CURRent[1..6 460]:MEAN[:MINimum MAXimum] IPOSitive INEGative INTEgral]	Average Mean Current
Rectified Mean Current	CURRent[1..6 460]:RMEAN[:MINimum MAXimum]	Average Rectified Mean Current
Rectified Mean Current Corrected	CURRent [1..6 460]:RMCORR[:MINimum MAXimum]	Average Rectified Mean Current Corrected
Peak-to-peak Current	CURRent[1..6]:PTP[:MINimum MAXimum]	
Highest value within averaging interval	CURRent[1..6]:PHIGH[:MINimum MAXimum]	
Lowest value within averaging interval	CURRent[1..6]:PLOW[:MINimum MAXimum]	
Current Harmonic	CURRent[1..6 460]:HAR[:MINimum MAXimum]	Average Current Harm
Current Crest Factor	CURRent[1..6]:CFACtor[:MINimum MAXimum]	
Current Absolute Phase	CURRent[1..6]:PHASe[:MINimum MAXimum] (relative to synchronization signal)	
Current Form Factor	CURRent[1..6]:FFACtor[:MINimum MAXimum]	
Current Harmonic Content	CURRent[1..6]:HCONTent[:MINimum MAXimum]	

Current Fundamental Content	CURRent[1..6]:FCONTent[:MINimum MAXimum]	
Current THD	CURRent[1..6]:THD[:MINimum MAXimum]	
Active Power	POWer[1..6 460]:ACTive[:MINimum MAXimum] IPOSitive INEGative INTEGRal]	Total Active Power
Apparent Power	POWer[1..6 460]:APParent[:MINimum MAXimum] IPOSitive INEGative INTEGRal]	Total Apparent Power
Reactive Power	POWer[1..6 460]:REACTive[:MINimum MAXimum] IPOSitive INEGative INTEGRal]	Total Reactive Power
Power Factor	POWer[1..6 460]:FACTor[:MINimum MAXimum]	Total Power Factor
Corrected Power	POWer[1..6 460]:CORRECTed[:MINimum MAXimum]	Total Corrected Power
Electrical Efficiency	POWer[460]:EFFiciency[:MINimum MAXimum]	Total Electrical Efficiency
Phase Angle between U and I (arccos[PF])	PHASe[1..6 460]:[:MINimum MAXimum]	Total Phase Angle (arccos[PF])
Apparent Impedance	IMPedance[1..6 460]:APParent[:MINimum MAXimum]	Total App. Impedance
Serial Resistance	RESistance[1..6 460]:SERial[:MINimum MAXimum]	Total Serial Resistance
Parallel Resistance	RESistance[1..6 460]:PARAllel[:MINimum MAXimum]	Total Parallel Resistance
Serial Reactance	REACTance[1..6 460]:SERial[:MINimum MAXimum]	Total Serial Reactance
Parallel Reactance	REACTance[1..6 460]:PARAllel[:MINimum MAXimum]	Total Parallel Reactance
Active Power Harmonic	POWer[1..6 460]:ACTive:HAR[:MINimum MAXimum] IPOSitive INEGative INTEGRal]	Total Active Power Harm.
Apparent Power Harmonic	POWer[1..6 460]:APParent:HAR[:MINimum MAXimum] IPOSitive INEGative INTEGRal]	Total Apparent Power Harm.
Reactive Power Harm.	POWer[1..6 460]:REACTive:HAR[:MINimum MAXimum] IPOSitive INEGative INTEGRal]	Total Reactive Power Harm.
Power Factor Harmonic	POWer[1..6 460]:FACTor:HAR[:MINimum MAXimum]	Total Power Factor Harm.
Electrical Efficiency Harmonic	POWer[460]:EFFiciency: HAR[:MINimum MAXimum]	Total Electrical Efficiency Harm.
Phase Angle U to I Harm. (arccos[PF])	PHASe[1..6 460]:HAR[:MINimum MAXimum]	Total Phase Angle Har. (arccos[PF])

Apparent Impedance Harmonic	IMPedance[1..6 460][:APParent]:HAR[:MINimum MAXimum]	Total App. Impedance Harmonic
Serial Resistance Harmonic	RESistance[1..6 460]:SERial:HAR[:MINimum MAXimum]	Total Serial Resitance Harmonic
Parallel Resistance Harmonic	RESistance[1..6 460]:PARAllel:HAR[:MINimum MAXimum]	Total Par. Resistance Harmonic
Serial Reactance Harmonic	REACTance[1..6 460]:SERial:HAR[:MINimum MAXimum]	Total Serial Reactance Harmonic
Parallel Reactance Harmonic	REACTance[1..6 460]:PARAllel:HAR[:MINimum MAXimum]	Total Par. Reactance Hamonic
SYNC frequency	FREQuency[:MINimum MAXimum]	
Averaging interval length in seconds	TIME[:INTerval][:MINimum MAXimum]	
Time [secs] since timer reset time	TIME:RELative	

Additional Functions Available if Process Interface PI1 is Installed

Function (Quantity)	Command	If no suffix present
Shaft torque	TORQue[1..4][:MINimum MAXimum]	TORQue1
Rotational speed	SPEed[1..4][:MINimum MAXimum]	SPEed1
Mechanical Power	POWEr[1..4]:MECHanical[:MINimum MAXimum]	POWER1: MECHanical
Slip	SLIP[1..4][:MINimum MAXimum]	SLIP1
Mechanical efficiency	EFFiciency[1..4][:MINimum MAXimum]	EFFiciency1
Raw input value	GPINput[1..8][:MINimum MAXimum]	GPINput1

Commands and Queries

ABORt Subsystem

The ABORt subsystem contains the commands to abort actions triggered. After an action has been aborted, it can be triggered again at once. All commands trigger an event and have no *RST value.

Command	Parameter	Default Value/Unit	Remark
:ABORt			No query

ABORt

Description

Resets the triggering/synchronization system. When the measurement or data storage is started after the trigger/synch condition is met, this command has no effect. This command will take the instrument from 'wait for trigger/synch state' to the state before issuing the INITiate[:IMMEDIATE]:SEQUENCE command.

Parameter(s)

None

Response

No query

*RST state

-

Example(s)

ABOR

Invalidates

-

Invalidated by

-

CALCulate Subsystem

The CALCulate subsystem contains commands to perform spectrum calculation, user-defined electrical efficiency calculation and integration of the averaged values.

Command	Parameter	Default Value/Unit	Remark
:CALCulate			
:TRANSform			
:FREQuency			
[:STATe]	ONCE		no query
:MODE	FFT DFT STD		
:FUNCTion	<function list>		
:START	0		for FFT and DFT only
:STOP	<value>		for FFT and DFT only
:CYCLes	4 6 8 10 12	10	for STD only
:GROUping	COMPonent HARMonic HGRoup HSGRoup ISGroup SGRoup		for STD only
:DATA?	[<count>,<offset>]		query only
:PREAmble?			query only
:THD?			query only
:INTegral			
[:STATe]	ON OFF	OFF	
:FUNCTion	<function list>		
:CLEar			
[:IMMEDIATE]			
:AUTO	ON OFF	ON	
:START			
:SOURce	CMD TIME MAN	CMD	
[:IMMEDIATE]			
:TIME	yyyy,mm,dd,hh,mm,ss		
:STOP			
:SOURce	CMD TIME MAN TINTerval	CMD	
[:IMMEDIATE]			
:TIME	yyyy,mm,dd,hh,mm,ss		
:TINTerval	0 to ...		
:HARMonic			
:ORDer	0 to 40	1	
:POWer			
:EFFiciency			
:REFerence	<function 1>, <function 2>		
:CORReCted	STAR DELTa		

CALCulate:TRANSform:FREQuency[:STATe] ONCE

Description

Initiates a single calculation of the frequency transform (spectrum), i.e. the instrument calculates spectrum only upon receipt of this command. An attempt to perform the spectrum calculation while SENSE:SWEEP1[:STATe] is ON (memory storage of samples) will generate error "-221, Settings conflict".

Parameter(s)

ONCE

Example(s)

CALC:TRAN:FREQ ONCE

**RST state*

-

Invalidates

-

Invalidated by

-

CALCulate:TRANSform:FREQuency: MODE FFT | DFT | STD

Description

Selects the harmonics calculation method.

Parameter(s)

FFT	Calculates an FFT amplitude spectrum. Number of lines is determined by the instrument and depends on the stop frequency, anti-aliasing filter setting and instrument model.
DFT	Calculates a DFT amplitude spectrum, i.e. the frequency and amplitude of the fundamental and its integer multiples from the FFT spectrum. Number of lines (harmonics) is dependent on the selected frequency range and the fundamental frequency (max. 41 including DC component).
STD	Calculates harmonics according to standard EN61000-4-7 Ed 2.1. The instrument must be synchronized on the fundamental frequency.

Example(s)

CALC:TRAN:FREQ:MODE FFT
 CALC:TRAN:FREQ:MODE? Response: FFT

**RST State*

FFT

Invalidates

-

Invalidated by

-

CALCulate:TRANSform:FREQUENCY:FUNCTION <function>{,<function>}

Description

This command selects the <function>(s) to be used for spectrum calculation by the instrument. The <function> is specified as a quoted string. For example: "VOLTage1".

Comma separated list of <sensor_function> may be sent as parameters. Applying a new list invalidates the previously active list (if any).

The query response returns a comma separated list of functions, each of which are <STRING RESPONSE DATA>, i.e. enclosed in quotes. The query returns the short form mnemonics and omits any default nodes in the <function>.

This function list does not get saved with *SAV and is cleared with *RST.

***RST state**

Empty list = no values defined

Example(s)

```
CALC:TRAN:FREQ:FUNC "VOLT1","CURR1","POW1"
```

```
CALC:TRAN:FREQ:FUNC? Response: "VOLT1","CURR1","POW1"
```

Invalidates

-

Invalidated by

-

CALCulate:TRANSform:FREQUENCY:STARt <frequency>

Description

This command specifies the start frequency of the harmonics calculation in hertz.

It will accept only 0 and return always 0.

This command is implemented for compatibility reasons.

Parameter(s)

<frequency>

***RST state**

0.0 Hz

Example(s)

```
CALC:TRAN:FREQ:STAR 0.0
```

```
CALC:TRAN:FREQ:STAR? Response: 0.0
```

Invalidates

-

Invalidated by

-

CALCulate:TRANSform:FREQUENCY:STOP <frequency>

Description

This command specifies the upper frequency of the harmonics calculation (frequency of the rightmost FFT or DFT spectrum line).

Parameter(s)

<frequency>

Minimum: 10 Hz

Maximum: sample rate / 2

Sample rate can be queried by means of [:SENSe]:SWEep:FREQUency?.

The instrument coerces the specified value to the next higher exact frequency.

**RST state*

Highest possible value (depending on the instrument)

Example(s)

CALC:TRAN:FREQ:STOP 625.0

CALC:TRAN:FREQ:STOP ? Response: 625.0

Invalidates

-

Invalidated by

-

CALCulate:TRANSform:FREQUENCY:CYCLes 4 | 6 | 8 | 10 | 12

Description

Defines the length of the analysis interval.
 This setting applies only to STD mode.

Parameter(s)

<cycles>

Selects the number of fundamental cycles for the analysis interval (limited list). Standard values are **10** for 50Hz and **12** for 60Hz Nominal Frequency (corresponding to an interval length of 200ms@f_{nom}).

**RST State*

10

Invalidates

-

Invalidated by

-

CALCulate:TRANSform:FREQuency:GROuping **COMPonent | HARMonic | HGRoup | HSGRoup**
|
ISGRoup | SGRoup

Description

Sets the grouping mode for harmonics analysis post-processing. The mode can be switched even after a triggered analysis (CALC:TRAN:FREQ ONCE) to read the data from the same interval again with a different grouping mode. This setting applies only to STD mode.

Parameter(s)

COMPonent	no grouping, only the spectral components from basic FFT are provided ($Y_{c,k}$)
HARMonic	the harmonic components are calculated ($Y_{H,h}$)
HGRoup	the harmonic groups are calculated ($Y_{g,h}$)
HSGRoup	the harmonic subgroups are calculated ($Y_{sg,h}$)
ISGRoup	the inter-harmonic subgroups are calculated ($Y_{isg,h}$)
SGRoup	both harmonic and inter-harmonic subgroups are calculated ($Y_{sg,h}$, $Y_{isg,h}$)

***RST State**

COMPonent

Invalidates

-

Invalidated by

-

CALCulate:DATA? [<count>[,<offset>]]

Description

Returns spectrum data in the format defined by the FORMAT commands. When there are no arguments to this command, all data according to the preamble information is output. First returned spectrum line corresponds to the DC component of the signal.

If a harmonic could not be calculated due to violation of sampling theoreme for some frequency in DFT mode, NaN is returned for that harmonic.

If a harmonics measurement has not yet been performed or if this query is sent during a harmonics measurement (STATus:OPERation bit 12 is set) an error "-230, Data corrupt or stale" is generated and no data is returned.

Parameter(s)

Parameters are optional.

<count>	Specifies the number of lines/harmonics to be returned for each function.
<offset>	If not specified spectrum data starting at higher than 0th line/harmonic (DC component) are returned. Otherwise first line returned has index given by <offset>.

frequency corresponds to the first function in the function list, second frequency corresponds to the second function in the function list, etc.

For FFT (frequency step) and for STD (synchronization frequency), <freq> values are identical for all functions; for DFT every function can have an individual fundamental frequency. If no fundamental frequency can be found (DFT) or the synchronization frequency is not valid or out of range (STD), an ASCII equivalent of NaN is returned (+9.91E37).

***RST state**

Example(s)

CALC:DATA:PRE? Response: 11.32, 40, 3, 50.0,50.0,50.0

Invalidates

-

Invalidated by

-

CALCulate:DATA:THD?

Description

Reads the THD values according to the selected grouping in STD mode. The values are only valid in STD mode (except with COMPonent grouping).

Response

<THD>[, <THD>, ...] is a list that contains THD values for each function in the spectrum list, provided as relative % of the fundamental. NaN values are returned in the following cases:

- the mode setting is FFT, DFT or STD / COMPonent grouping
- the fundamental of a function is less than 5% of the measuring range
- the synchronization is not locked or outside of the harmonics analysis range

***RST State**

Example(s)

CALC:DATA:THD? Response: +2.36780E+00,+5.12943E+00,+9.91000E+37

Invalidates

-

Invalidated by

-

CALCulate:INTegral[:STATe] ON | OFF

Description

Controls the state of integration capability of the instrument. When enabled, the instrument can integrate on some averaged measurement functions.

Parameter(s)

ON	Integration enabled.
----	----------------------

OFF	Intergration disabled.
-----	------------------------

Example(s)

```
CALC:INT ON
CALC:INT?   Response: ON
```

***RST state**

OFF

Invalidates

-

Invalidated by

-

CALCulate:INTegral:FUNCTion <function>{,<function>}

Description

Specifies function list for integral calculation. The <function> is specified as a quoted string. For example: "POWER1".

Comma separated list of <function> may be sent as parameters. Applying a new list invalidates the previously active list (if any).

The query response returns a comma separated list of functions, each of which are <STRING RESPONSE DATA>, i.e. enclosed in quotes. The query returns the short form mnemonics and omits any default nodes in the <function>.

Averaged POWER and VOLTage/CURRENT:MEAN values can be integrated. Specifiers INTEGRal | PINTegral | NINTegral can be used then in the SENSE:FUNCTion / SENSE:DATA? list to read the integrated values. If the integration function list is changed or integration is turned OFF, the values corresponding to the functions that have been removed return NaN as a response to SENSE:DATA?

SENSE:FUNCTion will generate error "-221, Settings conflict" if an attempt is made to set SENSE:FUNCTion list containing an integrated function that is not part of integration function list or while INTEGRal calculation is OFF. Maximum number of integrated functions is 6.

*RCL and *RST clear all integrated values.

Parameter(s)

<function> Specifies the integrated function. List of valid functions:

- VOLTage1..6:MEAN
- CURRENT1..6:MEAN
- POWER[1..6|460][:ACTive]
- POWER[1..6|460]:APParent
- POWER[1..6|460]:REACTIVE
- POWER[1..6|460][:ACTive]:HAR
- POWER[1..6|460]:APParent:HAR
- POWER[1..6|460]:REACTIVE:HAR

**RST state*

Number of Phases Installed	Function list
1	"POW1"
2	"POW1","POW2"
3	"POW1","POW2","POW3","POW"
4	"POW1","POW2","POW3","POW","POW4"
5	"POW1","POW2","POW3","POW","POW4","POW5"
6	"POW1","POW2","POW3","POW","POW460"

Example(s)

CALC:INT:FUNC "POW1:ACT"

CALC:INT:FUNC? Response: "POW1"

Invalidates

-

Invalidated by

-

CALCulate:INTegral:CLEar[:IMMediate]

Description

This command sets values of all the integrated functions to zero. All values get set to zero at the same time.

Parameter(s)

-

**RST state*

-

Example(s)

CALC:INT:CLE

Invalidates

-

Invalidated by

-

CALCulate:INTegral:CLEar:AUTO ON | OFF

Description

This command controls automatic zeroing of the integrated functions are set to zero.

ON	Integrated values get cleared at the start of the integration. All values get set to zero at the start of integration.
OFF	Automatic zeroing of integrated values is disabled.

Example(s)

CALC:INT:CLE:AUTO ON

CALC:INT:CLE:AUTO? Response: ON

**RST state*

ON

Invalidates

-

Invalidated by

-

CALCulate:INTegral:STARt:SOURce CMD | TIME | MAN

Description

Specifies integration start condition.

Parameter(s)

CMD	Integration starts upon receipt of the CALCulate:INTegral:STARt[:IMMEDIATE] command.
TIME	Integration will start at a time specified by command CALCulate:INTegral:STARt:TIME
MAN	Integration will start when user presses F1 key on the front panel from within integration measurement screen of the instrument

Example(s)

CALC:INT:STAR:SOUR CMD

CALC:INT:STAR:SOUR? Response: CMD

**RST state*

CMD

Invalidates

-

Invalidated by

-

CALCulate:INTEgral:STARt[:IMMediate]

Description

This command immediately starts the integration.

This command will also set the integrated values to zero if CALCulate:INTEgral:CLEar:AUTO is set to ON.

Attempt to start integration with this command when CALCulate:INTEgral:STARt:SOURce is not set to CMD will generate error -221, "Settings conflict"

Parameter(s)

-

***RST state**

-

Example(s)

CALC:INT:STAR

Invalidates

-

Invalidated by

-

CALCulate:INTEgral:STARt:TIME <yyyy,MM,dd,hh,mm,ss>

Description

Specifies integration start time. The integration starts when the instrument's internal date/time is equal to the time specified with this command.

Parameter(s)

yyyy	Year
MM	Month
Dd	Day
Hh	Hours in 24 hour notation
Mm	Minutes
ss	Seconds (integer value)

***RST state**

2002,1,1,0,0,0

Example(s)

CALC:INT:STAR:TIME 2002,01,12,12,30,00

CALC:INT:STAR:TIME? Response: 2002,01,12,12,30,00

Invalidates

-

Invalidated by

-

CALCulate:INTegral:STOP:SOURce CMD | TIME | MAN | TINTerval

Description

Specifies integration stop condition.

Stopping integration does not reset the integrated values to zero.

Parameter(s)

CMD	Integration will stop upon receipt of the CALCulate:INTegral:STOP[:IMMEDIATE] command.
TIME	Integration will stop at a time specified by command CALCulate:INTegral:STOP:TIME
MAN	Integration will stop when user presses F2 key on the front panel from within integration measurement screen of the instrument
TINTerval	Integration will stop after the interval specified with CALCulate:INTegral:STOP:TINTerval elapses from the start of the integration.

**RST state*

CMD

Example(s)

CALC:INT:STOP:SOUR CMD

CALC:INT:STOP:SOUR? Response: CMD

Invalidates

-

Invalidated by

-

CALCulate:INTegral:STOP[:IMMEDIATE]

Description

This command immediately stops integration.

Stopping integration does not reset the integrated values to zero.

Attempt to start integration with this command when CALCulate:INTegral:START:SOURce is not set to CMD will generate error -221, "Settings conflict"

Parameter(s)

-

**RST state*

-

Example(s)

CALC:INT:STOP

Invalidates

-

Invalidated by

-

CALCulate:INTEgral:STOP:TIME <yyyy,MM,dd,hh,mm,ss>

Description

Specifies integration stop time. The integration stops when the instrument's internal date/time is equal to the time specified with this command.

Parameter(s)

yyyy	Year
MM	Month
Dd	Day
Hh	Hours in 24 hour notation
Mm	Minutes
ss	Seconds (integer value)

**RST state*

2010,1,1,0,0,0

Example(s)

CALC:INT:STOP:TIME 2002,01,12,12,30,00

CALC:INT:STOP:TIME? Response: 2002,01,12,12,30,00

Invalidates

-

Invalidated by

-

CALCulate:INTEgral:STOP:TINTerval <interval>

Description

Specifies integration interval in seconds. The integration after this interval elapses from the start of the integration.

Parameter(s)

1.0e-3 to 9.99e+6

**RST state*

6.00000E+01

Example(s)

CALC:INT:STOP:TINT 1.0

CALC:INT:STOP:TINT? Response: 1.0

Invalidates

-

Invalidated by

-

CALCulate: HARMonic:ORDer <order>

Description

Specifies harmonic order for measurement function
 VOLTage[1..6|460]:HAR[:MINimum|MAXimum].

Parameter(s)

0 to 40 (currently, only 1 is valid)

**RST state*

1

Example(s)

CALC:HARM:ORD 1
 CALC:HARM:ORD? Response: 1

Invalidates

-

Invalidated by

-

CALCulate:POWer[460]:EFFiciency:REFerence <function1>,<function2>

Description

Specifies two functions for user-defined electrical efficiency calculation.
 CALCulate:POWer:EFFiciency:REFerence specifies variables for electrical efficiency of the 1st 2- or 3-phase system (POWer:EFFiciency).
 CALCulate:POWer460:EFFiciency:REFerence specifies variables for electrical efficiency of the 2nd 3-phase system (POWer460:EFFiciency).

Parameter(s)

<function1> and <function2> can be any of the averaged active powers measured by the instrument:
 "POWer[1..6|460][:ACTive]"

**RST state*

Depends on type of instrument and number of installed phases.

Example(s)

CALC:POW:EFF:REF "POW460", "POW1"
 CALC:POW:EFF:REF? Response: "POW460", "POW1"

Invalidates

-

Invalidated by

-

CALCulate:POWer:CORReCted STAR | DELTa

Description

Selects phase-to-neutral or phase-to-phase voltages for the calculation of no load loss measurements on transformers according to IEC60076-1 (measurement function POWer[1|2|3|4|5|6|460]:CORReCted).

In a 3-phase instrument, STAR is not possible together with W2 (Aron), parameter will be set to DELTa automatically. If there are more than 3 phases, STAR may still be selected in mode W2, but only applies to phase 4 and up. Pcorr from the first system is not available then.

This command is only accepted by firmware version V1.4 and up.

Parameter(s)

STAR Use phase-to-neutral voltages (wye connection scheme)

DELTA Use phase-to-phase voltages (delta connection scheme)

*RST state

CALCulate:POWer:CORReCted?: STAR

Example(s)

CALC:POW:CORR DELT

CALC:POW:CORR? Response: DELT

Invalidates

-

Invalidated by

ROUTE:SYST "2W" (3-phase instruments only)

DISPlay Subsystem

The DISPlay subsystem contains commands to control the display.

Command	Parameter	Default Value/Unit	Remark
:DISPlay [:WINDow] [:STATe] :USER : FUNCTion	ON OFF <function list>	OFF	

:DISPlay[:WINDow][:STATe] ON | OFF

Description

This command controls whether the instrument's processor updates the display. Brightness or power consumption of the display is not effected with this command.

Parameter(s)

ON	Display is updated by the processor.
OFF	Processor of the instrument does not update the display saving more processing power for extensive calculations.

Example(s)

DISP ON
DISP? Response: ON

****RST state***

OFF

Invalidates

-

Invalidated by

-

:DISPlay:USER:FUNction <function>{,<function>}

Description

Specifies function list for user-defined measurement screen.

Parameter(s)

<function>{,<function>}

Example(s)

DISP:USER:FUNC "VOLT1:PHIGH","VOLT1:PLOW","VOLT1:PTP"
DISP:USER:FUNC?
Response: "VOLT1:PHIGH","VOLT1:PLOW","VOLT1:PTP"

****RST state***

Empty list = no values defined

Invalidates

-

Invalidated by

-

FORMat Subsystem

The FORMat subsystem sets a data format for transferring numeric and array measurement data. This data format is used for response data by those commands that are specifically designated to be affected by the FORMat subsystem.

Command	Parameter	Default Value/Unit	Remark
:FORMat			
[:DATA]	ASCii REAL 0 to 8 32 64	ASCii	Default length for REAL is 64
:STATus	ASCii INTeger , 8 16 32	ASCii	Default length for INTeger is 8
:BORDer	NORMal SWAPped	NORMal	Length only for INTeger
:TRANspose	ON OFF	OFF	

FORMat[:DATA] ASCii | INTeger | REAL, [0..8] | 16 | [32 | 64]

Description

Specifies the data format for transfer of the measured values from the instrument. This command applies to all kinds of measured data: averaged measurements, memory recordings, spectrum/FFT data, etc. If <length> is not specified, the instrument uses last valid setting.

This command is coupled with FORMat[:DATA]:STATus. Change from ASCii (text) format to REAL | INTeger (binary) format or vice versa using either FORMat[:DATA] or FORMat[:DATA]:STATus will change both, the measurement data and status information formats. These formats are always either both text or both binary. Last valid length is used for indirectly changed format.

Parameter(s)

type

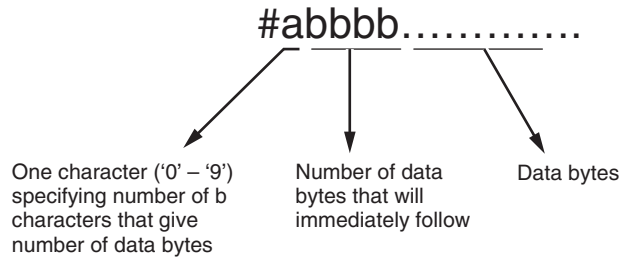
ASCii

Data is transferred as floating point value formatted into a string. Multiple ASCii data values are separated by comma. Length specifies number of mantissa digits in scientific notation.

If measurement status is error (8), the measurement value is NaN = +9.91E+37.

REAL

Data is transferred as floating point numbers of specified length in definite-length block binary format.



REAL data are in big-endian byte order by default. The byte order can be changed with `FORMat:BORDer` command.

length [bits]

0 to 8

Applies to ASCii. Length specifies number of mantissa digits in scientific notation. For non-zero lengths the values are formatted using C formatting string `"%+.(length-1)e"`. A `<length>` value of zero indicates that the device selects the number of significant digits to be returned. Maximum length for ASCii is 8. Default length is 6.

16

Applies to INTeger. Specifies number of bits that represent the signed integer number.

32 | 64

Applies to REAL. Specifies the length of the binary representation of the floating point number in bits (default is 64).

If measurement status is error (8), the measurement value is IEEE 754 NaN:

FORMat:BORDer SWAPped

REAL,32 = {0, 0, 0xC0, 0x7F}
 REAL,64 = {0, 0, 0, 0, 0, 0, 0xF8, 0x7F}

FORMat:BORDer NORMal

REAL,32 = {0x7F, 0xC0, 0, 0}
 REAL,64 = {0x7F, 0xF8, 0, 0, 0, 0, 0, 0}

Response

`<type>,[<length>]`

***RST state**

ASCii,6

Example(s)

FORM ASC,6
 FORM REAL,32
 FORM? Response: REAL,64

Invalidates

FORMat[:DATA]:STATus

Invalidated by

FORMat[:DATA]:STATus

FORMat[:DATA]:STATus ASCii | INTeger, [8] | 16 | 32

Description

Specifies the format of the status information when transferring the measured values from the instrument. Status information is an integer number.

This command applies to averaged measurements and memory recordings of averaged data. If <length> is not specified, the instrument uses last valid setting.

This command is coupled with FORMat[:DATA]. Change from ASCii (text) format to REAL | INTeger (binary) format or vice versa using either FORMat[:DATA] or FORMat[:DATA]:STATus will change both, the measurement data and status information formats. These formats are always either both text or both binary. Last valid length is used for indirectly changed format.

Parameter(s)

ASCii

The status information is transferred as integer value formatted into a string. Multiple status information values are separated by comma. Length is not valid for ASCii format of status information.

INTeger,[8]|16|32

Status information value is transferred as binary integer of specified length. INTeger status information values are in big-endian byte order. For default length of 8 bits the length can be omitted.

Response

<type>,[<length>]

***RST state**

ASCii

Example(s)

FORM:STAT ASC

FORM:STAT INT,8

FORM? Response: INT,8

Invalidates

FORMat[:DATA]

Invalidated by

FORMat[:DATA]

FORMat:BORDER NORMal | SWAPped

Description

Specifies whether the binary data transferred over the interface are in normal (Motorola) or swapped (Intel) byte order.

This command applies to all kinds of binary measured data: averaged measurements, memory recordings, spectrum/FFT data, etc.

Parameter(s)

NORMal	Big endian data format (Motorola).
SWAPped	Little endian data format (Intel).

Response

<format>

***RST state**

NORMal

Example(s)

FORM:BORD SWAP

FORM:BORD? Response: SWAP

Invalidates

-

Invalidated by

-

FORMat:TRANspose ON | OFF

Description

This command applies to memory recordings (TRACe) and spectrum data output. The data can be thought of as of a 2D array (matrix). This command selects whether to swap rows and columns in the matrix.

Parameter(s)

ON	If set to ON, values are grouped by measurement functions: all values of function 1, all values of function 2,...
OFF	If set to OFF, values are grouped by intervals/spectrum lines: all values from interval 1, all values from interval 2,...

***RST state**

OFF

Example(s)

FORM:TRAN ON

FORM:TRAN? Response: ON

Invalidates

-

Invalidated by

-

Hardcopy Subsystem

The HARDCOpy subsystem contains commands to output the image of the instrument screen.

Command	Parameter	Default Value/Unit	Remark
:HCOPY :SDUMp :DATA?			query only

HCOPY:SDUMp:DATA?

Description

Returns screen dump data (in internal format accepted by PC program for instrument screen transfer).

Parameter(s)

-

Reponse

Block of RLE encoded screen data

**RST state*

-

Example(s)

HCOP:SDUM:DATA?

Response: *Block of RLE encoded screen data*

Invalidates

-

Invalidated by

-

INITiate Subsystem

The INITiate subsystem controls the operation of the averaging capability of the instrument. If memory recording is enabled, it also initiates the trigger/synchronization subsystem.

Command	Parameter	Default Value/Unit	Remark
:INITiate :CONTinuous [:IMMEDIATE] :SEQUENCE1 :NAME START	ON OFF	ON	No query

INITiate:CONTInuous ON | OFF

Description

Controls the continuous state of the averaging capability. If set to on, the instrument automatically starts new averaging cycle upon finishing the previous one. INITiate:CONTInuous ON should be used for gap-free measurements.

Parameter(s)

ON	Free-run mode. Instrument automatically starts new averaging cycle upon finishing the previous one.
OFF	Single-shot mode. Instrument performs one averaging cycle upon receipt of either INIT[:IMMEDIATE] or *TRG command. Instrument is then placed in the IDLE state again.

***RST state**

ON

Example(s)

```
INIT:CONT ON
INIT:CONT?   Response: 1
```

Invalidates

-

Invalidated by

-

INITiate[:IMMEDIATE]

Description

Leaves the IDLE state and starts a single averaging cycle. After this averaging cycle is complete, the instrument is placed in the IDLE state again. If the device is not in IDLE or if INITiate:CONTInuous is set to ON, an IMM command shall have no effect and an error -213 shall be generated.

Parameter(s)

-

***RST state**

-

Example(s)

```
INIT
```

Invalidates

-

Invalidated by

-

INITiate[:IMMEDIATE]:SEQUENCE1

INITiate[:IMMEDIATE]:NAME START

Description

Initiates the memory acquisition start trigger. After initiation the pretrigger gets filled (if > 0). Pretrigger is filled when "waiting for trigger" bit of OPER:STAT register is set to 1. An alias for SEQUENCE1 is START.

Parameter(s)

-

***RST state**

-

Example(s)

INITiate:NAME START

Invalidates

-

Invalidated by

-

INPut Subsystem

The INPut subsystem controls the characteristics of the input channels. Numeric suffixes of the INPut node correspond to hardware input channel of the instrument. For 6 channel models, the valid electrical channel suffixes are 1 to 6. For 12 channel models, the valid electrical channel suffixes are 1 to 12. The electrical INPut subsystem does not distinguish between current and voltage channels. Input filter settings are common for all electrical channels, so the channel suffixes can be omitted, even if implemented for compatibility reasons. If the channel suffix is omitted, the command applies to input 1.

For Process Interface option, the valid mechanical channel suffixes are 21 to 24 (torque input 1..4) and 25 to 28 (speed input 1..4). See section 2.1.10 SENSE2 Subsystem for detailed description.

Command	Parameter	Default Value/Unit	Remark
:INPut[1..12]			
:COUPling	AC DC	DC	Current channels only
:GAIN	0 to 1.0e12	1.0	
:FILTer	ON OFF		
[:STATe] [:LPASS] :FREQUency?		ON Device dependent	
:SHUNt	INTernal EXTernal	INTernal	Current channels only
:INPut[21..28]			
:TYPE	VOLTage FREQUency		Option Process Interface

INPut[1..12]:COUPling AC | DC

Description

Sets the input coupling of the selected input channel.

Parameter(s)

AC	DC component is removed from the signal before any further processing. This coupling compensates for any DC offsets on the signal.
DC	Signal is left untouched and all it's components are passed for further processing. This coupling should be used for true RMS calculations.

**RST state*

DC for all channels

Example(s)

INP1:COUP AC
INP2:COUP? Response: DC

Invalidates

-

Invalidated by

-

INPut[1|2|3|4|5|6|7|8|9|10|11|12]:GAIN <gain>

Description

Sets the shunt factor for the voltage current inputs. This setting applies when EXTERNAL input shunt is selected. The even (voltage) channel numbers are available only on instruments equipped with PP59/PP69 power phase.

Parameter(s)

1.0e-7 to 1.0e+7

This unitless gain factor specifies V/A conversion ratio of the external shunt connected to the specified channel. Negative values are not allowed.

Response

<gain>

**RST state*

1.0 for all channels

Example(s)

INP1:GAIN 10.0
INP3:GAIN? Response: 251.65

Invalidates

-

Invalidated by

-

INPut[1..12]:FILTer[:STATe] ON | OFF

Description

Turns the input antialiasing filters on or off. Filters on all channels are coupled, i.e. enabling/disabling filter on one channel will enable/disable filters on all channels.

Parameter(s)

ON	Anti-aliasing filter enabled.
OFF	Anti-aliasing filter disabled.

***RST state**

ON for all channels

Example(s)

INP:FILT ON
INP:FILT? Response: 1

Invalidates

-

Invalidated by

-

INPut[1..12]:FILTer[:LPASs]:FREQuency?

Description

Queries the antialiasing low-pass filter cutoff frequency. All input channels are equipped with the same filters, so the returned value is always identical for all channels. The antialiasing filter cutoff frequency can not be changed.

Response

<frequency> in Hz

***RST state**

Device dependent for all channels.

Example(s)

INP:FILT:FREQ? Response: 300.0e3

Invalidates

-

Invalidated by

-

INPut[1|2|3|4|5|6|7|8|9|10|11|12]:SHUNt INTernal | EXTernal

Description

Selects the shunt used on current channel. The even (voltage) channel numbers are available only on instruments equipped with PP59/PP69 power phase.

Parameter(s)

INTernal	Internal shunts up to 10A are used.
EXTernal	External shunt is connected. Shunt factor must be specified with command INPut:GAIN.

***RST state**

INTernal for all channels

Example(s)

INP1:SHUN EXT

INP3:SHUNt? Response: INT

Invalidates

-

Invalidated by

-

INPut[21..28]:TYPE VOLTage | FREQuency (Option Process Interface)

Description

This command sets the input type to match the sensor type.

Parameter(s)

VOLTage	DC signal in range of +/- 10 V is expected on the input.
FREQuency	AC signal with frequency in range 1 Hz to 200 kHz is expected on the input.

***RST state**

FREQuency

Example(s)

INP21:TYP FREQ

INP21:TYP? Response: FREQ

Invalidates

-

Invalidated by

-

OUTPut Subsystem

The OUTPut subsystem controls the characteristic of the SYNC output.

Command	Parameter	Default Value/Unit	Remark
:OUTPut9 [:STATe]	ON OFF	OFF	SYNC output

OUTPut9[:STATe] ON | OFF

Description

Sets the state of the synchronization output. Can only be set to ON if SYNC:SOURce is not set to EXTeRnal.

Parameter(s)

ON	The synchronization pulses are output at the rear sync input/output jack.
OFF	No synchronization pulses are output.

*RST state

OFF

Example(s)

OUTP9 ON

OUTP9? Response: 0

Invalidates

-

Invalidated by

SYNC:SOURce EXTeRnal

ROUTE Subsystem

The ROUTe subsystem selects the type of connection the instrument uses to measure on a three phase system.

Command	Parameter	Default Value/Unit	Remark
:ROUTE :SYSTem	"3W" "2W"	"3W"	

ROUTE:SYSTem "3W" | "2W"

Description

Selects the type of connection the instrument uses to measure on a three phase system.

Note

Parameter 2W is only accepted by firmware version 1.4 and higher.

Parameter(s)

"3W"	Three-wattmeter configuration.
"2W"	Two-wattmeter configuration.

*RST state

"3W"

Example(s)

ROUT:SYST "3W"

ROUT:SYST? Response: "3W"

Invalidates

-

Invalidated by

-

SENSe Subsystem

The SENSe subsystem controls the averaging capability of the instrument and calculation of the basic averaged values. Numeric suffixes of the VOLTage|CURRent nodes correspond to electrical phases. Channels of the INPut subsystem are combined into phases of the SENSe:VOLTage|CURRent subsystem as shown in the table below.

If the channel suffix is omitted, the command applies to phase 1.

Input Suffix	Channel	Electrical Phase	Sense Subsystem Phase Suffix
INPut1	(current)	L1	SENSe:VOLTage CURRent1
INPut2	(voltage)		
INPut3	(current)	L2	SENSe:VOLTage CURRent2
INPut4	(voltage)		
INPut5	(current)	L3	SENSe:VOLTage CURRent3
INPut6	(voltage)		
INPut7	(current)	L4	SENSe:VOLTage CURRent4
INPut8	(voltage)		
INPut9	(current)	L5	SENSe:VOLTage CURRent5
INPut10	(voltage)		
INPut11	(current)	L6	SENSe:VOLTage CURRent6
INPut12	(voltage)		

The SENSe node is the default node of the root level of the command tree. The default node of the SENSe subsystem is POWer. All SENSe phase-related settings are common to both AC and DC couplings, so the AC | DC node can be omitted assuming that DC is used. The :AC[:DC] node is implemented for compatibility reasons only.

Command	Parameter	Default Value/Unit	Remark
[[:SENSE]			
:CURRENT[1..6][VOLTAGE[1..6]			
:AC[:DC]			
:RANGE			
[:UPPER]	0.3 to 1000 V	- [V]	VOLTAGE
	0.03 to 10	- [A]	CURRENT with INTERNAL shunt
	0.03 to 20V		CURRENT with EXTERNAL shunt
:AUTO	ON OFF ONCE	ON	ONCE curr. unimplemented
:LIST?			Query only
:SCALE	0.9 to 1.0e+7	1.0 [-]	
[[:POWER[1..6]][CURRENT[1..6][VOLTAGE[1..6]			
:AC[:DC]			
:APERTURE			
[:TIME]	15.0e-3 to 3.6e3	0.3 s	
:SWEPT			
:FREQUENCY?	device dependent		Query only
:FUNCTION			
[:ON]	list of sens func	""	
:ALL		-	No query
:COUNT?		0	Query only
OFF			
:ALL			
:CONCURRENT	ON OFF	ON	
:DATA?	list of sens func	""	Query only
:STATUS?	list of sens func	""	Query only
:SWEPT1 2			
:TIME	<value> MAX		
:MAX?			Query only
:POINTS?			Query only
:OFFSET			
:TIME	0 <value> MAX		
:POINTS?			Query only
[:STATE]	ON OFF	OFF	
:COUNT	1 to 65535	1	
:SFACTOR	1 to 65535	1	
:FUNCTION	<function list>		

Scaling

[SENSE:]CURRENT[1..6]|VOLTage[1..6]:AC[:DC]:SCALE <value>

Description

Sets the voltage/current scaling factor that reflects conversion ratio of any voltage/current transformers or dividers employed. Voltage or current on the specified channel is multiplied by this scaling factor before any further processing. All signal quantities that are calculated on the base of the current and/or voltage are scaled by this factor.

Parameter(s)

0.9 to 1.0e+7

Negative values are not allowed.

Example(s)

VOLT3:SCAL 10.0

CURR2:SCAL? Response: 10.0

*RST state

1.0

Invalidates

-

Invalidated by

-

Ranging

[SENSE:]CURRENT[1..6]|VOLTage[1..6]:AC[:DC]:RANGE[:UPPER] <value>

Description

Sets the voltage/current range. The specified range is the the actual range of the instrument's input channel. Channel scaling factors and external shunts (INPut:GAIN) are not included. This command sets RMS of the range, the actual peak range is two times higher. Range value within the valid interval is rounded up to the next higher possible value.

Parameter(s)

0.3 to 1000.0 V

0.03 to 10.0 A

0.03 to 10.0 V

Voltage channel range. Valid for voltage channels (2, 4, 6, 8, 10, 12).

Current channel range when INPut:SHUNt is set to INTernal. Valid for voltage channels (1, 3, 5, 7, 9, 11).

Current channel range when INPut:SHUNt is set to EXTernal. The range is set by means of voltage at the voltage input of the current channel. The actual current range in apms can be obtained by multiplying this value by INPut:GAIN for corresponding channel. Valid for voltage channels (1, 3, 5, 7, 9, 11).

Example(s)

VOLT3:RANG 25.0
CURR2:RANG? Response: 3.0

***RST state**

After reset autoranging is ON, so no fixed range is set.

Invalidates

[SENSe:]CURRent[1..6]|VOLTage[1..6]:RANGe:AUTO ON

Invalidated by

[SENSe:]CURRent[1..6]|VOLTage[1..6]:RANGe:AUTO ON

Averaging

[SENSe:]CURRent[1..6]|VOLTage[1..6]:AC[:DC]:RANGe[:UPPer]:LIST?

Description

Queries a list of valid voltage/current ranges available on channel specified by the phase suffix. The returned list contains the actual ranges of the instrument's input channels. Channel scaling factors and external shunts (INPut:GAIN) are not included. For current channels the list is dependent on the actual setting of INPut:SHUNt (EXTernal or INTernal).

Response

<range_list>
Comma separated range value list.

Example(s)

CURR2:RANG:LIST?
0.03, 0.1, 0.3, 1, 3, 10 *(for setting INPut:SHUNt INTernal)*

***RST state**

Invalidates

-

Invalidated by

-

[SENSe:]CURRent[1..6]|VOLTage[1..6]:AC[:DC]:RANGe[:UPPer]:AUTO ON|OFF|ONCE

Description

Controls the voltage/current autoranging.

Parameter(s)

ON	Autoranging is permanently ON. Monitoring of the STATus:OPERation register will detect that the range is changed.
OFF	Autoranging is permanently OFF.
ONCE	ONCE is currently unimplemented

Example(s)

VOLT3:RANG:AUTO ON
CURR2:RANG:AUTO? Response: 0

***RST state**

ON

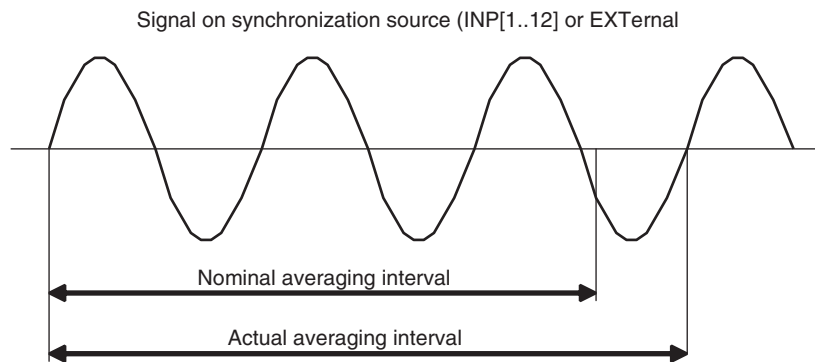
Invalidates

[SENSe:]CURRent[1..6]|VOLTage[1..6]:RANGe[:UPPer]

Invalidated by

[SENSe:]CURRent[1..6]|VOLTage[1..6]:RANGe[:UPPer]

**[SENSe:][:POWER[1..6]]|CURRent[1..6]|VOLTage[1..6]:AC[:DC]:APERture[:TIME]
<avgtime>**



Description

Sets the nominal averaging interval. Query returns the set nominal averaging interval. In synchronous mode the actual averaging interval is changing “on-the-fly”. The nominal averaging interval is extended to next full signal period.

To query the actual averaging period, :SENSe:DATA? "TIME[:INTERval]" command must be used.

If the nominal averaging interval is changed by this command, then the synchronization timeout (SYNC:TIMEout) is set to the nominal averaging interval or 0.3 seconds, whichever is greater.

Note

The [:POWER[1..6]]|CURRent[1..6]|VOLTage[1..6]:AC[:DC] nodes are implemented for SCPI compatibility only. The instrument works with only one averaging interval for all averaged measurements.

Parameter(s)

15ms ... 3600 s
Resolution is 1 ms.
The unit is seconds.

Example(s)

APER 0.2
APER? Response: 1.5

***RST state**

0.3 s

Invalidates

SYNC:TIMEout

Invalidated by

-

Sampling Frequency

[SENSe:]SWEep:FREQuency?

Description

Queries the sample rate of the instrument's ADCs. The sample rate is fixed and cannot be changed.

Response

<sample_rate>

The actual sample rate the instrument is using to acquire the data. The sample rate is common to all channels. The unit is Hz.

***RST state**

Device dependent:

Norma3000: 102.4 kHz

Norma4000: 341.33 kHz or 1.024 MHz

Norma5000: 341.33 kHz or 1.024 MHz

Example(s)

SWEep:FREQ? Response: 3.4133E+05

Invalidates

-

Invalidated by

-

Measurement Functions

[SENSe:]FUNctIon[:ON] <function>{,<function>}

Description

The FUNctIon[:ON] command selects the <function>(s) to be SENSEd by the instrument. The <function> is specified as a quoted string. For example: FUNctIon "VOLTage:AC". If CONcurrenT is OFF, a single <function> is sent as the parameter. This selects this function to be sensed. If more than one function is sent an error -108 (Parameter not allowed) is generated. If CONcurrenT is ON, a comma separated list of <sensor_function> may be sent as parameters. These functions are turned on, while the state of other functions is changed to off. The query response of FUNctIon[:ON]? returns a comma separated list of functions that are on, each of which are <STRING RESPONSE DATA>. If no functions are ON, a null string is returned. The query returns the short form mnemonics and omits any default nodes in the <function>.

This function list does not get saved with *SAV and is cleared with *RST.

Parameter(s)

<function>{,<function>}

Example(s)

FUNC "VOLT","CURR","POW"

FUNC? Response: "VOLT","CURR","POW"

***RST state**

Empty list = no values defined

Invalidates

[SENSe:]FUNctioN[:ON]:COUNT?

Invalidated by

[SENSe:]FUNctioN[:ON]:ALL

[SENSe:]FUNctioN:OFF:ALL

[SENSe:]FUNctioN:CONCurrenT OFF

[SENSe:]DATA? <function>{,<function>}

[SENSe:]DATA:STATUS? <function>{,<function>}

[SENSe:]FUNctioN[:ON]:ALL

Description

This command turns ON all of the <sensor_function>s that the instrument can concurrently sense.

Example(s)

FUNC:ALL

***RST state**

-

Invalidates

[SENSe:]FUNctioN[:ON]:COUNT?

Invalidated by

[SENSe:]FUNctioN[:ON]

[SENSe:]FUNctioN[:ON]:COUNT?

Description

This query returns the number of <sensor_function>s that are ON.

Response

<count> Number of averaged measurements that are currently configured.

***RST state**

0

Example(s)

FUNC:COUN? Response: 3

Invalidates

-

Invalidated by

[SENSe:]FUNCTION[:ON]
[SENSe:]FUNCTION[:OFF]
[SENSe:]DATA? <function> {,<function>}
[SENSe:]DATA:STATUS? <function> {,<function>}
[SENSe:]FUNCTION:CONCurent OFF

[SENSe:]FUNCTION:OFF:ALL

Description

This command turns OFF all of the <sensor_function>s that the instrument can concurrently sense.

Example(s)

FUNC:OFF:ALL

***RST state**

-

Invalidates

[SENSe:]FUNCTION[:ON]:COUNT?

Invalidated by

[SENSe:]FUNCTION[:ON]

[SENSe:]FUNCTION:CONCurent ON | OFF

Description

The CONCurent command indicates whether the SENSor block should be configured to SENSE one function at a time or SENSE more than one function at a time (concurrently).

Parameter(s)

ON	If CONCurent is ON, the function(s) specified as parameter(s) to the FUNCTION[:ON] command are turned on, while the state of other functions is set to off.
OFF	If CONCurent is OFF, the FUNCTION[:ON] command acts as a one-of-n switch selecting the indicated function to be the only sensed function.

Example(s)

FUNC:CONC ON
FUNC:CONC? Response: 1

***RST state**

ON

Invalidates

[SENSe:]FUNCTION[:ON]:COUNT?
[SENSe:]FUNCTION[:ON]

Invalidated by

-

Data Query

[SENSe:]DATA? [<function,function...>]

Description

Returns data in the format defined by the FORMAT commands. When there are no arguments to this command: Number of returned values is equal to number of the arguments to command SENSe:FUNCTion[:ON]. If SENSe:FUNCTion:CONCurent is OFF, only one function/measurement is allowed to be configured and returned. If set to ON, multiple functions can be configured and queried for measurement results.

Parameter(s)

[<function>,<function>,...]

Response

<measurement_value>[,<measurement_value>,...]

**RST state*

Empty list = no values defined

Example(s)

DATA? "VOLT","CURR","POW" Response: 221.56,1.056,230.65

Invalidates

[SENSe:]FUNCTion[:ON]:COUNt?

[SENSe:]FUNCTion[:ON]

Invalidated by

-

[SENSe:]DATA:STATus? [<function,function...>]

Description

Returns averaged measurement(s) followed by the measurement status information. The measurement status information indicates the validity of the measurement. The status information is appended to the set of measured values. Number of status values is equal to the number of returned measured values. The format of the status information is controlled by the FORMat:STATus commands.

Parameter(s)

[<function>,<function>,...]

See SENSe:FUNCTion for detailed description of available functions.

Status Values

The returned status values are integers. The measurement status values are appended to the end of the measurement results. The status value is bit mask integer and can be a combination of one or more of the following values (bits) combined together using logical OR operation. For example, the value of 3 represents both underrange and overrange conditions.

0	Normal Valid measurement, no questionable condition.
1	Underrange The returned value is valid, but the signal amplitude is too low for the given range, so the measurement precision is reduced.
2	Overrange The instrument returns a measurement value, but the input signal amplitude is too high for the given range and is clipped to an amplitude within the current range. The returned value can be more or less outside the specification.
8	Undefined The instrument was not able to calculate a valid value. This could be caused by e.g. loss of synchronization (no valid frequency, harmonics, ...). The instrument returns an Not A Number for the measurement.
16	Not available The requested function is not or no longer available (e.g. option not installed, function turned off). The instrument returns an Not A Number for the measurement.
128	Power Factor capacitive For the Power Factor function this indicates capacitive phase difference between voltage and current (0 = inductive).

Reponse

```
<measurement_value1>[,<measurement_value2>,...],  
<measurement_status1>[,<measurement_status2>,...]
```

*RST state

Empty list = no values defined

Example(s)

```
DATA:STATUS? "VOLT","CURR","POW"
```

```
Response: 221.56,1.056,230.65,0,0,0
```

Invalidates

-

Invalidated by

-

Memory Recording

Commands to configure the memory recording use mandatory suffixes 1 and 2 after the SWEEP node.

[[:SENSe]:]SWEep1 Configures memory recording of sampled values (REALtime).

[[:SENSe]:]SWEep2 Configures memory recording of averaged values (AVERAge).

The settings for memory recording of averaged and sampled values share the same configuration space and all of the settings must be set when changing from averaged to sampled recording or vice versa. The [[:SENSe:]]SWEep1|2[:STATe] OFF commands reset the settings to default values except for triggers.

[[:SENSe:]]SWEep1|2:TIME <value> | MAX

Description

This command specifies maximum memory record length in seconds. This record length includes pretrigger. If the synchronization is on, then the max. recording duration for SWEep2 is directly dependent on exact number of averaging intervals that will be recorded, which is calculated as specified record length / nominal averaging interval.

Parameter(s)

<value> | MAX

**RST state*

MAX

Example(s)

SWE1:TIME 1.0

SWE1:TIME? Response: 1.0

Invalidates

-

Invalidated by

-

[[:SENSe:]]SWEep1|2:TIME:MAX?

Description

Returns maximum recording time in seconds according to current memory recording settings (total amount of available memory, set of variables to record, sampling factor and instrument's sampling frequency).

Response

<time>

**RST state*

Maximum recording time according to *RST settings for memory recording.

Example(s)

SWE1:TIME:MAX?

Invalidates

-

Invalidated by

-

[SENSe:]SWEep1|2:POINTS?

Description

Before recording is initiated or finished, this command returns max. number of points per function that will be recorded. For synchronized SWEep2 (AVERage) recordings, this value is calculated as:

Configured recording time / nominal averaging interval / sample factor
(SWEep2:TIME? / APER? / SWEep2:SFACTor?)

The actual max. number of points that will be recorded depends on the variations of frequency of the measured signal.

Once the recording is finished, this command returns actual number of points per function recorded.

Response

<count>

***RST state**

Maximum available number of points. Depends on amount of available memory on the instrument.

Example(s)

SWE1:POINTS?

Invalidates

-

Invalidated by

-

[SENSe:]SWEep1|2:OFFSet:TIME <value> | MAX

Description

This command specifies pretrigger length in seconds.

Parameter(s)

<value> | MAX

Pretrigger length must be greater or equal to zero and smaller than the record length specified with [SENSe:]SWEep1|2:TIME

***RST state**

0.0

Example(s)

SWE1:OFFS:TIME 1.0

Invalidates

-

Invalidated by

-

[SENSe:]SWEep1|2:OFFSet:POINTS?

Description

Before recording is initiated or finished, this command returns max. number of points per function that will be recorded in pretrigger.

For synchronized SWEep2 (AVERAge) recordings, this value is calculated as:

Configured pretrigger time / nominal averaging interval / sample factor

(SWEep2:OFFSet:TIME? / APER? / SWEep2:SFACTOR?)

The actual max. number of points that will be recorded in pretrigger depends on the variations of frequency of the measured signal.

Once the recording is finished, this command returns actual number of points per function that was recorded in pretrigger.

Parameter(s)

-

Response

<count>

***RST state**

0

Example(s)

SWE1:OFFS:POINTS? Response: 0

Invalidates

-

Invalidated by

-

[SENSe:]SWEep1|2[:STATe] ON | OFF

Description

Enables / disables memory recording of sampled / averaged values. Only one of the sweeps can be enabled at a time. Attempt to enable both sweeps will generate error -221 Settings conflict, i.e. SWEep1 (REALtime) and SWEep2 (AVERAge) recordings can not run at a time. Transition from OFF to ON clears the memory as if TRACe:DELeTe:ALL was issued. Transition from ON to OFF resets all memory recording related settings except triggers.

Parameter(s)

ON	Enables memory recording.
OFF	Disables memory recording.

Example(s)

SWE1 ON

SWE1? Response: 1

**RST state*

OFF

Invalidates

-

Invalidated by

-

[SENSe:]SWEep1|2:COUNt <count>

Description

Number of blocks to acquire.

Parameter(s)

1 to 65535 (currently only 1 is valid)

Example(s)

SWE1:COUN 1

SWE1:COUN? Response: 1

**RST state*

1

Invalidates

-

Invalidated by

-

[SENSe:]SWEep1|2:SFACtor

Description

This command sets sample factor. It specifies that every n-th value produced by the [SENSe:]SWEep1|2 block gets saved into memory. If the sample factor specified would generate a time between two stored samples that is greater than SENSe:SWEep1|2:TIME or SENSe:SWEep1|2:OFFSet:TIME error -221 Settings conflict is generated.

Parameter(s)

1 to 65535

When sample factor is set to 1, all samples are stored.

**RST state*

1

Example(s)

SWE1:SFAC 1

Invalidates

-

Invalidated by

-

[SENSe:]SWEep1|2:FUNcTion <function>{,<function>}

Description

Specifies function list for memory recording. The maximum number of functions is 20. If the list exceeds device capability, the sample factor is automatically increased.

For SWEep1 (REALtime) function list only sampled values can be specified.

For SWEep2 (AVERAge) function list any functions from the standard instrument function list can be specified.

The function list is stored in a saved configuration and is reloaded at PowerOn or with *RCL.

Parameter(s)

<function>

SWEep1 (REALtime) valid functions:

VOLTage1..6[:DC]

CURRent1..6[:DC]

POWEr1..6[:ACTive]

TORQue[1..4]

SPEEd[1..4]

POWEr[1..4]:MECHANical

SWEep2 (AVERAge) valid functions:

Any functions from the standard instrument function list can be specified.

**RST state*

“VOLTage1”

Example(s)

SWE1:FUNC “VOLT1”, VOLT2”, ”VOLT3”

Invalidates

-

Invalidated by

-

SENSe2 Subsystem (Option Process Interface)

The SENSe2 subsystem controls the settings of the optional Process Interface inputs. Numeric suffixes of the TORQue|SPEEd|POLepairs|TYPE|REFerence nodes correspond to the index of the 4 motors/generators supported. Channels of the INPut subsystem are combined into drive index of the SENSe2:xxx subsystem as shown in the table below.

Input Channel Suffix	Drive Index	Sense Subsystem Phase Suffix
INPut21 (torque) INPut25 (speed)	1	SENSe2:TORQue SPEed POLepairs TYPe REFerence1[:POWer]
INPut22 (torque) INPut26 (speed)	2	SENSe2:TORQue SPEed POLepairs TYPe REFerence2[:POWer]
INPut23 (torque) INPut27 (speed)	3	SENSe2:TORQue SPEed POLepairs TYPe REFerence3[:POWer]
INPut24 (torque) INPut28 (speed)	4	SENSe2:TORQue SPEed POLepairs TYPe REFerence4[:POWer]

Command	Parameter	Default Value/Unit	Remark
:INPut[21..28] :TYPe	VOLTage FREQuency	FREQuency	Analog/digital sensor

INPut[21..28]:TYPe VOLTage | FREQuency

Description

Selects the type of signal measured for a Process Interface input.

Parameter(s)

VOLTage	Input signal is voltage.
FREQuency	Input signal is frequency.

***RST state**

FREQuency for all Process Interface inputs

Example(s)

INP21:TYP VOLT

INP25:TYP? Response: FREQ

Invalidates

-

Invalidated by

-

The SENSe2 node distinguishes the mechanical from the electrical system (SENSe1 for the electrical system is the default node of the root level of the command tree). The SENSe2:xxx:VOLTage nodes apply if the corresponding input type is set to INPutx:TYPe VOLTage and SENSe2:xxx:FREQuency nodes apply if the corresponding input type is set to INPutx:TYPe FREQuency respectively.

Command	Parameter	Default Value/Unit	Remark
:SENSe2			
:TORQue[1..4]			
:VOLTage			
:SCALE	-1e6 to 1e6	1 [Nm/V]	Analogue torque sensor
:OFFSet			
[:VALue]	-1e6 to 1e6	0 [V]	Input voltage for 0 [Nm]
:IMMediate			Set offset from input value; no query
:FREQuency			
:SCALE	-1e6 to 1e6	[Nm/Hz]	Digital torque sensor
[:VALue]	-1e6 to 1e6	10000 [Hz]	Input frequency for 0 [Nm]
:IMMediate			Set offset from input value; no query

Command	Parameter	Default Value/Unit	Remark
:SENSe2			
:SPEEd[1..4]			
:VOLTage			
:SCALE			
[:DEFault]	-1e6 to 1e6	1 [rpm/V]	Analogue speed sensor
:OFFSet			
[:VALue]	-1e6 to 1e6	0 [V]	Input voltage for 0 [rpm]
:IMMediate			Set offset from input value; no query
:FREQuency			
:SCALE			
[:DEFault]	-1e6 to 1e6	60 [rpm/Hz]	Digital torque sensor
:PULSe			
:OFFSet	1 to 100000	1 [pul/rev]	Alternative setting
[:VALue]	-1e6 to 1e6	0 [Hz]	Input frequency for 0 [rpm]
:IMMediate			Set offset from input value; no query
:TYPE[1..4]	MOTor GENerator	MOTor	
:POLepairs[1..4]	1 to 999	1	
:REFerence[1..4]			
[:POWER]	"POWER[1..6][:ACTive]"	"POWER"	For efficiency calculation

Scaling**SENSe2:TORQue[1..4]:VOLTage:SCALE <value>****Description**

Sets the torque scaling factor for voltage type input that reflects conversion ratio of torque sensors employed. The difference between the voltage on the respective input and the specified offset is multiplied by this scaling factor before any further processing.

Parameter(s)

-1.0e6 to 1.0e6

[Nm/V]

Example(s)

SENS2:TORQ3:VOLT:SCAL 10.0

SENS2:TORQ1:VOLT:SCAL? Response: 25.0

***RST state**

1.0

Invalidates

-

Invalidated by

-

SENSe2:TORQue[1..4]:VOLTage:OFFSet[:VALue] <value>**Description**

Sets the input voltage quantity that corresponds to torque zero values. This voltage is subtracted from the measured voltage at the input before this difference is multiplied by the scaling factor.

Parameter(s)

-1.0e6 to 1.0e6

[V]

Example(s)

SENS2:TORQ3:VOLT:OFFS 0.0

SENS2:TORQ2:VOLT:OFFS? Response: 0.0

***RST state**

0.0

Invalidates

-

Invalidated by

SENSe2:TORQue[1..4]:VOLTage:OFFSet:IMMEDIATE

SENSe2:TORQue[1..4]:VOLTage:OFFSet:IMMEDIATE**Description**

Configure the currently measured torque voltage to be the offset value. The measurement must be valid (no overload).

Parameter(s)

-

Example(s)

SENS2:TORQ3:VOLT:OFFS:IMM

***RST state**

-

Invalidates

SENSe2:TORQue[1..4]:VOLTage:OFFSet

Invalidated by

-

SENSe2:TORQue[1..4]:FREQuency:SCALe <value>**Description**

Sets the torque scaling factor for frequency type input that reflects conversion ratio of torque sensors employed. The difference between the frequency on the respective input and the specified offset is multiplied by this scaling factor before any further processing.

Parameter(s)

-1.0e6 to 1.0e6

[rpm/Hz]

Example(s)

SENS2:TORQ2:FREQ:SCAL 0.001

SENS2:TORQ1:FREQ:SCAL? Response: 0.001

***RST state**

1.0

Invalidates

-

Invalidated by

-

SENSe2:TORQue[1..4]:FREQuency:OFFSet[:VALue] <value>**Description**

Sets the input frequency quantity that corresponds to torque zero values. This frequency is subtracted from the measured frequency at the input before this difference is multiplied by the scaling factor.

Parameter(s)

-1.0e6 to 1.0e6
[Hz]

Example(s)

SENS2:TORQ3:FREQ:OFFS 1000.0
SENS2:TORQ2:FREQ:OFFS? Response: 1000.0

**RST state*

0.0

Invalidates

-

Invalidated by

SENSe2:TORQue[1..4]:FREQuency:OFFSet:IMMEDIATE

SENSe2:TORQue[1..4]:FREQuency:OFFSet:IMMEDIATE

Description

Sets the torque frequency offset value from the currently measured value. The measurement must be valid (no overload / undefined value).

Parameter(s)

-

Example(s)

SENS2:TORQ3:FREQ:OFFS:IMM

**RST state*

-

Invalidates

SENSe2:TORQue[1..4]:FREQuency:OFFSet

Invalidated by

-

SENSe2:SPEEd[1..4]:VOLTage:SCALe[:DEFault] <value>

Description

Sets the speed scaling factor for voltage type input that reflects conversion ratio of speed sensors employed. The difference between the voltage on the respective input and the specified offset is multiplied by this scaling factor before any further processing.

Parameter(s)

-1.0e6 to 1.0e6
[Nm/V]

Example(s)

SENS2:SPE3:VOLT:SCAL 10.0
SENS2:SPE1:VOLT:SCAL? Response: 25.0

**RST state*

1.0

Invalidates

-

Invalidated by

-

SENSe2:SPEed[1..4]:VOLTage:OFFSet[:VALue] <value>

Description

Sets the input voltage quantity that corresponds to speed zero values. This voltage is subtracted from the measured voltage at the input before this difference is multiplied by the scaling factor.

Parameter(s)

-1.0e6 to 1.0e6

[V]

Example(s)

SENS2:SPE3:VOLT:OFFS 0.0

SENS2:SPE2:VOLT:OFFS? Response: 0.0

**RST state*

0.0

Invalidates

-

Invalidated by

SENSe2:SPEed[1..4]:VOLTage:OFFSet:IMMEDIATE

SENSe2:SPEed[1..4]:VOLTage:OFFSet:IMMEDIATE

Description

Configure the currently measured speed voltage to be the offset value. The measurement must be valid (no overload).

Parameter(s)

-

Example(s)

SENS2:SPEed3:VOLT:OFFS:IMM

**RST state*

-

Invalidates

SENSe2:SPEed[1..4]:VOLTage:OFFSet[:VALue]

Invalidated by

-

SENSe2:SPEed[1..4]:FREQuency:SCALe[:DEFault] <value>

Description

Sets the speed scaling factor for frequency type input that reflects conversion ratio of speed sensors employed. The difference between the frequency on the respective input and the specified offset is multiplied by this scaling factor before any further processing.

Parameter(s)

-1.0e6 to 1.0e6

[rpm/Hz]

Example(s)

SENS2:SPE2:FREQ:SCAL 0.001

SENS2:SPE1:FREQ:SCAL? Response: 0.001

****RST state***

1.0

Invalidates

SENSe2:SPEed[1..4]:FREQuency:SCALe:PULS

Invalidated by

SENSe2:SPEed[1..4]:FREQuency:SCALe:PULS

SENSe2:SPEed[1..4]:FREQuency:SCALe:PULSe <value>

Description

Sets the speed scaling factor for frequency type input that reflects conversion ratio of speed sensors employed. This alternative method allows the specification of a digital speed sensor to be sent directly to the device. The corresponding offset value should be set to zero.

Parameter(s)

1 to 100000

[pulses/revolution]

Example(s)

SENS2:SPE2:FREQ:SCAL:PULS 1024

SENS2:SPE1:FREQ:SCAL:PULS? Response: 256

****RST state***

1

Invalidates

SENSe2:SPEed[1..4]:FREQuency:SCALe[:DEFault]

Invalidated by

SENSe2:SPEed[1..4]:FREQuency:SCALe[:DEFault]

SENSe2:SPEed[1..4]:FREQuency:OFFSet[:VALue] <value>

Description

Sets the input frequency quantity that corresponds to speed zero values. This frequency is subtracted from the measured frequency at the input before this difference is multiplied by the scaling factor.

Parameter(s)

-1.0e6 to 1.0e6
[Hz]

Example(s)

SENS2:SPE3:FREQ:OFFS 1000.0
SENS2:SPE2:FREQ:OFFS? Response: 1000.0

****RST state***

0.0

Invalidates

-

Invalidated by

SENSe2:SPEed[1..4]:FREQuency:OFFSet:IMMEDIATE

SENSe2:SPEed[1..4]:FREQuency:OFFSet:IMMEDIATE

Description

Sets the speed frequency offset value from the currently measured value. The measurement must be valid (no overload / undefined value).

Example(s)

SENS2:TORQ3:FREQ:OFFS:IMM

****RST state***

-

Invalidates

SENSe2:SPEed[1..4]:FREQuency:OFFSet[:VALue]

Invalidated by

-

Drive Settings

SENSe2:TYPe[1..4] MOTor | GENerator

Description

Sets the type of drive used. The setting affects calculation of slip and efficiency.

Parameter(s)

MOTor	Drive type set to motor.
GENerator	Drive type set to generator.

Example(s)

SENS2:TYP1 MOT
SENS2:TYP3? Response: GEN

**RST state*

MOT

Invalidates

-

Invalidated by

-

SENSe2:POLepairs[1..4] <value>

Description

Specifies the number of polepairs of the drive. This setting is used for slip calculation.

Parameter(s)

<value>

Valid Range: 1 to 999

Example(s)

SENS2:POL3 2
SENS2:POL1? Response: 1

**RST state*

1

Invalidates

-

Invalidated by

-

SENSe2:REFerence[1..4][:POWer] <function>

Description

Specifies the measured electrical power used for efficiency calculation.

Parameter(s)

<**function**> can be any of the averaged active powers measured by the instrument:

"POWer[1..6|460][:ACTive]"

Example(s)

SENS2:REF3 "POW1"
SENS2:REF2? Response: "POW"

**RST state*

"POW"

Invalidates

-

Invalidated by

-

SOURce Subsystem (Option Process Interface)

The SOURce subsystem controls the settings of the optional Process Interface analogue outputs. Numeric suffixes of the VOLTage node correspond to the index of the 4 outputs supported.

Command	Parameter	Default Value/Unit	Remark
:SOURce :VOLTage[1..4] [:LEVel] [:IMMediate] [:AMPLitude]	-10.3 to 10.3	0.0 V	
:MODE	FIXed VARiable	FIXed	For FIXed mode only
:FEED	<function>	VOLTage1	For VARiable mode only
:GAIN	-1.0e6 to 1.0e6	1.0 V/Ref unit	
:ZERO	-1.0e6 to 1.0e6	0.0 Ref unit	

Output Configuration

SOURce:VOLTage[1..4]:MODE FIXed | VARiable

Description

Selects the operating mode of the analogue outputs.

Parameter(s)

FIXed	The output voltage is directly specified by SOURce:VOLTage[1..4][:LEVel][:IMMediate][AMPLitude] command.
VARiable	After every measurement the output voltage is calculated from the FEEDed measurement function using the specified GAIN and ZERO values.

***RST state**

FIXed

Example(s)

SOUR:VOLT3:MODE VAR
SOUR:VOLT2:MODE? Response: FIX

Invalidates

-

Invalidated by

-

SOURce:VOLTage[1..4][:LEVel][:IMMediate][:AMPLitude] <value>

Description

Selects the output voltage for FIXed mode.

Parameter(s)

<value>

Valid Range: -10.3 to 10.3 V

****RST state***

0.0

Example(s)

SOUR:VOLT4 5.3

SOUR:VOLT1? Response: -2.5

Invalidates

-

Invalidated by

-

SOURce:VOLTage[1..4]:FEED <function>

Description

Specifies the output reference function for VARiable mode.

Parameter(s)

<function>

Any valid averaged measurement function of the instrument.

****RST state***

"VOLTage1"

Example(s)

SOUR:VOLT2:FEED "POW2:APP"

SOUR:VOLT4:FEED? Response: "CURR3:MEAN"

Invalidates

-

Invalidated by

-

Scaling

SOURce:VOLTage[1..4]:GAIN <value>

Description

Specifies the scaling for the output. The difference between the actual value of the reference function and the ZERO value is multiplied by this factor to calculate the output voltage.

Parameter(s)

<gain>

Valid Range: -1.0e6 to 1.0e6 V/Ref unit

***RST state**

1.0

Example(s)

SOUR:VOLT2:GAIN 5.0

SOUR:VOLT3:GAIN? Response: 1.0e-3

Invalidates

-

Invalidated by

-

SOURce:VOLTage[1..4]:ZERO <value>

Description

Specifies the offset for the output. This value is subtracted from the actual value of the reference function before this difference is multiplied by the GAIN setting to calculate the output voltage.

Parameter(s)

<value>

Valid Range: -1.0e6 to 1.0e6 Ref unit

***RST state**

0.0

Example(s)

SOUR:VOLT1:ZERO 225.0

SOUR:VOLT3:ZERO? Response: 50.0

Invalidates

-

Invalidated by

-

SYNC Subsystem

The SYNC subsystem controls the synchronization capability of the instrument. When synchronization is enabled, the instrument adapts the averaging cycles to the frequency of the signal fed to synchronization source. If memory recording of sampled data is in operation, the synchronization signal can be used as a specific form of triggering.

Command	Parameter	Default Value/Unit	Remark
:SYNC			
:STATe	ON OFF	ON	
:LEVel			
:UNIT	ABSolute PCT	PCT	
[:SOURce][VOLTage[1..6]]	VOLTage[1..6] CURRent[1..6]]	VOLTage1	SOURce = current source <curr. only SOURce node is implemented>
CURRent[1..6] EXTernal	EXTernal		
:LEVel	-150%...150% of range	0.0	Not for EXTernal
:SLOPe	POSitive NEGative	POSitive	
:FILTer			Not for EXTernal source
[:LPASs]			
[:STATe]	ON OFF	OFF	
:FREQuency	1.0e2, 1.0e3, 1.0e4	1.0e4 Hz	
:TIMeout	0.015 to 3600.0	0.3 s	

SYNC:STATe ON | OFF

Description

Sets whether the averaging interval is controlled by signal frequency on selected input or not. If synchronization is turned on, the actual averaging period is kept to be a first integer multiple of the sync signal greater than user-specified nominal averaging period. If synchronization is turned off, the actual averaging period is equal to the user-specified nominal averaging period rounded to integer multiple of sample periods.

Parameter(s)

ON	Synchronization is required. The instrument will always attempt to synchronize to the sync source signal frequency.
OFF	Synchronization is disabled. Use this option for measurements on DC signals.

Example(s)

```
SYNC:STAT ON
SYNC:STAT?    Response: 1
```

*RST state

```
ON
```

Invalidates

-

Invalidated by

-

SYNC:LEVel:UNIT ABSolute | PCT

Description

Sets the unit for SYNC[:SOURce][VOLTage[1..6]|CURRent[1..6]:LEVel command.

Parameter(s)

ABSolute	Level is specified in absolute units.
PCT	Level is specified in percent of nominal input range.

Example(s)

SYNC:LEV:UNIT ABS

SYNC:LEVel:UNIT? Response: PCT

**RST state*

PCT

Invalidates

SYNC:LEVel:UNIT

Invalidated by

-

SYNC[:SOURce] VOLTage[1..6] | CURRent[1..6] | EXTernal

Description

Selects the signal source for synchronization and frequency measurement.

Parameter(s)

VOLTage[1..6]	One of the voltage channels is the sync source.
CURRent[1..6]	One of the current channels is the sync source.
EXTernal	External TTL sync input is the sync source.

Example(s)

SYNC:SOUR VOLT1

SYNC:SOUR? Response: VOLT1

**RST state*

VOLTage1

Invalidates

SYNC[:SOUR]:AUTO

Invalidated by

SYNC[:SOUR]:AUTO

SYNC[:SOURce]|VOLTage[1..6]|CURRent[1..6]:LEVel <level>

Description

Sets the sync level at which the selected input signal period is measured by the synchronization circuitry of the instrument. SYNC:SOURce:LEVel sets the sync level of the active trigger source (not for EXTERNAL).

<currently only SOURce node is implemented>

Parameter(s)

<level>

Valid Range: -150% to 150%

Of nominal input range on the specified channel in IEEE 488.2 <NON-DECIMAL NUMERIC PROGRAM DATA> format. The unit is selectable with command SYNC:LEVel:UNIT.

Example(s)

SYNC:VOLT1:LEV 10.0

SYNC:VOLT1:LEV? Response: 0.0

***RST state**

0.0

Invalidates

SYNC[:SOURce]:VOLTage[1..6]|CURRent[1..6]:LEVel:AUTO

Invalidated by

SYNC[:SOURce]:VOLTage[1..6]|CURRent[1..6]:LEVel:AUTO
[SENSe:]VOLTage[1..6]|CURRent[1..6]:AC[:|DC]:RANGe[:UPPer]
INPut[1|2|3|4|5|6|7|8|9|10|11|12]:SHUNt INPut[1|2|3|4|5|6|7|8|9|10|11|12]:GAIN
SYNC:LEVel:UNIT

SYNC[:SOURce]|VOLTage[1..6]|CURRent[1..6]:SLOPe POSitive | NEGative

Description

Sets the active slope of the synchronization signal.

<currently only SOURce node is implemented>

Parameter(s)

POSitive	The instrument synchronizes on positive slope of the synchronization signal.
NEGative	The instrument synchronizes on negative slope of the synchronization signal.

Example(s)

SYNC:SLOP POS

SYNC:SLOP? Response: POS

***RST state**

POSitive

Invalidates

-

Invalidated by

-

SYNC[:SOURce][VOLTage[1..6]][CURRent[1..6]:FILTer:[LPASs[:STATe]] ON | OFF

Description

Controls the synchronization signal filter. The filtering is applied to the signal on input channel that is selected as a synchronization source. This command has no effect if the selected sync source is EXTERNAL.

<currently only SOURCE node is implemented>

Parameter(s)

ON	Filter is ON.
OFF	Filter is OFF.

Example(s)

SYNC:FILT ON

SYNC:FILT? Response: 0

***RST state**

OFF

Invalidates

-

Invalidated by

-

SYNC[:SOURce][VOLTage[1..6]][CURRent[1..6]:FILTer:[LPASs]:FREQuency 10.0e3 | 1.0e3 | 100.0

Description

Sets the synchronization signal filter low pass frequency. This command has no effect if the selected sync source is EXTERNAL. The frequency unit is Hz.

<currently only SOURCE node is implemented>

Parameter(s)

10.0e3	10 kHz
1.0e3	1 kHz
100.0	100 Hz

Any other value between 100 Hz and 10 kHz will be coerced to next higher exact value.

Example(s)

SYNC:FILT:FREQ 100.0

SYNC:FILT:FREQ? Response: 1000.0

***RST state**

10000.0

Invalidates

-

Invalidated by

-

SYNC:TIMEout <timeout>

Description

Sets the synchronization timeout in seconds. Instrument will start averaging after the timeout if no sync signal is available. Timeout is active only if synchronization is on. If the nominal averaging interval is changed by [SENSe:]{CURRent[1..6]|VOLTAge[1..6]][POWer]::{AC|[DC]}:APERture[:TIME] command, then the synchronization timeout is set to the nominal averaging interval or 0.3 seconds, whichever is greater.

Parameter(s)

0.015 to 3600 s

Example(s)

SYNC:TIMEout 5.0

SYNC:TIMEout? Response: 5.0

*RST state

0.3

Invalidates

-

Invalidated by

[SENSe:]{CURRent[1..6]|VOLTAge[1..6]][POWer]::{AC|[DC]}:APERture[:TIME

TIMer Subsystem

The TIMer subsystem contains commands to control the instrument's internal timer. This timer provides timestamping information for averaged measurements.

Command	Parameter	Default Value/Unit	Remark
:TIMer			
:RESet			No query
:AUTO	ON OFF	ON	<curr. unimplemented>
:TIME?		-	Query only

TIMer:RESet

Description

Resets the internal timer of the instrument. The timer is used to measure memory recording time and number of averaging cycles. When reset, both the timer's time and averaging cycles counter are set to zero. The absolute time of last timer reset can be obtained with command TIMer:RESet:TIME? If this command is sent when storing averaged values into memory, the timing information will be inconsistent as the timer will start counting from zero in the middle of data.

Timer is reset automatically at Power On (TIMer:RESet:TIME? Gives Power On time).

Example(s)

TIM:RES

***RST state**

No reset condition

Invalidates

TIM:RES:TIME?

Invalidated by

-

TIMer:RESet:AUTO ON | OFF

Description

Controls whether the instrument's internal timer is reset automatically when ARMED. In order to maintain absolute timebase for sequenced memory measurements, TIMer:RESet:AUTO must be set to OFF, so that subsequent INITiate[:IMMediate]:NAME:START commands do not reset the timer.

<currently unimplemented>

Parameter(s)

ON	INITiate[:IMMediate]:NAME:START resets the timer.
OFF	INITiate[:IMMediate]:NAME:START does not reset the timer.

Example(s)

TIM:RES:AUTO ON

TIM:RES:AUTO? Response: 1

***RST state**

ON

Invalidates

TIM:RESet:TIME?

Invalidated by

-

TIMer:RESet:TIME?

Description

Queries the absolute time of the last timer reset.

Reponse

<year>,<month>,<day>,<hours>,<minutes>,<seconds>

Year is in four-digit numeric format. Hours are in 24 hour notation.

***RST state**

Has no reset value

Example(s)

TIM:RES:TIME?

Invalidates

-

Invalidated by

-

TRACe Subsystem

The TRACe subsystem contains commands to read memory recordings.

Command	Parameter	Default Value/Unit	Remark
:TRACe			
:DATA			
:PREamble?	block		query only
:DATA?	<block>, <number_of_points>, <offset>,<sparsing>		query only
:FREE?			query only
:CATalog			
:LENgth?			query only
:TRACe			
...			
:DElete			
:ALL			

TRACe[:DATA]:PREamble? [<block>]

Description

Reads the data header for given block. If the <block> parameter is omitted, all headers are sent.

Parameter(s)

<block> = 1

This optional parameter specifies the block from memory for which the preamble should be returned.

Currently only one block can be recorded and the only valid value is 1.

Reponse

<points_per_func>, (integer)

Indicates amount of data recorded for each function.

<num_of_func>, (integer)

Number of functions configured for memory recording.

<trigger_index>, (integer)

Index of data point corresponding to trigger.

<first_point_time_relative_to_trigger>, (floating point number)

Time difference between the first recorded data point and trigger in seconds.

<record_duration>, (floating point number)

Indicates the time difference between the first and last recorded data point in seconds.

<trigger_time_relative_to_timer_reset_time>, (floating point number)

Indicates the length of the time interval between timer reset and trigger in seconds. The trigger time, from which this value is derived, corresponds to the TIME:RELative function value of data point that comes right before the data at index <trigger_index> (the TIME:RELative values are timestamps when corresponding avg. intervals completed).

<average_time_between_two_points>, (floating point number)

Indicates sample interval in seconds. For SWEep1 (REALtime) recording and non-synchronized SWEep2 (AVERAge) recordings this value is the exact sample interval. For synchronized SWEep2 (AVERAge) recordings this value is an average sample interval calculated as:

<record_duration> / <points_per_func>

The actual interval between individual subsequent samples depends on the variations of frequency of the measured signal.

***RST state**

0,0,0,0.00000E+00,0.00000E+00,0.00000E+00,0.00000E+00

Example(s)

TRAC:DATA:PRE?

Response: 0,0,0,0.00000E+00,0.00000E+00,0.00000E+00,0.00000E+00

Invalidates

-

Invalidated by

-

TRACe[:DATA]? [<block>,<count>,<offset>,<sparsing>]]]]

Description

Reads data from memory.

Default data format is user-readable ASCII values (FORMat[:DATA] ASCII, 8). For better performance, you can use binary output with 32-bit wide floating-point numbers (FORMat[:DATA] REAL,32) and normal (instrument's native) data byte ordering (FORMat:BORDER NORMAL).

Parameter(s)

<block>	Specifies the block to read. When set to 0, all blocks are read. When set to 1, the first acquired block is read, etc.
<count>	Specifies number of points to read for specified block, starting at offset index.
<offset>	Specifies the index of the acquired data point where to start the transfer.
<sparsing>	Specifies that every n-th data point is transferred. When set to 1, all points are transferred. When set to 2, every second point gets transferred.

If no parameters are specified, all recorded data are transferred. Parameters can be omitted from right to left.

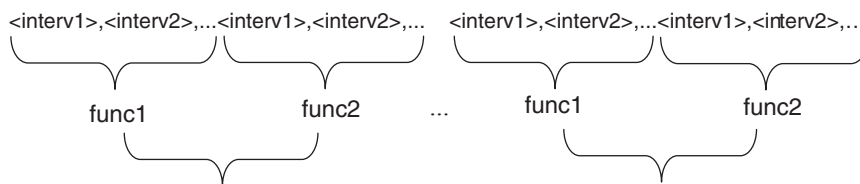
Defaults: <block>=1, <count>=all, <offset>=0, <sparsing>=1

combination of one or more of the following values (bits) combined together using logical OR operation:

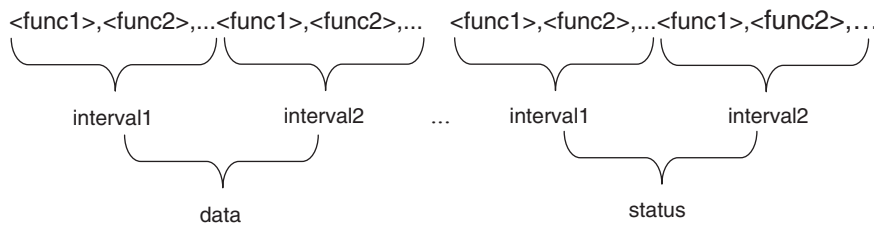
0	Normal Valid measurement, no questionable condition.
1	Underrange The returned value is valid, but the signal amplitude is too low for the given range, so the measurement precision is reduced.
2	Overrange The instrument returns a measurement value, but the input signal amplitude is too high for the given range. This causes the input signal to be clipped to an amplitude within the current range. Because the measurement value is calculated from clipped sampled data the returned value can be more or less outside the specification.
8	Undefined The instrument was not able to calculate a valid value. This could be caused by e.g. loss of synchronization (no valid frequency, harmonics, ...). The instrument returns an Not A Number for the measurement.
16	Not available The requested function is not or no longer available (e.g. option not installed, function turned off). The instrument returns an Not A Number for the measurement.
128	Power Factor capacitive For the Power Factor function this indicates capacitive phase difference between voltage and current (0 = inductive).

Response

When FORMat:TRANSpOse is ON, values are grouped by functions:



When FORMat:TRANSpOse is OFF, values are grouped by intervals:



***RST state**

There is no response to this command after reset.

Example(s)

TRAC:DATA:STAT? Response: 1.2345E+01,2.3456E+01,....,0,0,...

Invalidates

-

Invalidated by

-

TRACe:FREE?

Description

Returns number of free bytes in memory.

Response

<bytes>

***RST state**

Returns maximum available memory if no data is recorded. This value is instrument dependent.

Example(s)

TRAC:FREE? Response: 4194176

Invalidates

-

Invalidated by

-

TRACe:CATalog:LENgth?

Description

Returns the actual number of blocks acquired in memory (only 1 is returned).

Response

<number_of_blocks>

***RST state**

1

Example(s)

TRAC:CAT:LEN? Response: 1

Invalidates

-

Invalidated by

-

TRACe:DELeTe:ALL

Description

Delete all memory.

**RST state*

This is an action and has no reset state.

Example(s)

TRAC:DEL:ALL

Invalidates

TRACe:FREE?

Invalidated by

-

TRIGger Subsystem

The TRIGger subsystem contains commands to define condition of an averaged measurement that will trigger an action. TRIGger subsystem has effect only if memory recording is enabled.

Command	Parameter	Default Value/Unit	Remark
:TRIGger			
:START			
:SOURce	BUS TIME IMMEDIATE MANUAL SYNC <function>	IMMEDIATE	
:TIME	yyyy,mm,dd,hh,mm,ss		
:LEVel	value	0.0	
:SLOPe	POSitive NEGative	POSitive	
:STOP			
:SOURce	TIME IMMEDIATE MANUAL <function>	IMMEDIATE	
:TIME	yyyy,mm,dd,hh,mm,ss		
:LEVel	<value>	0.0	
:SLOPe	POSitive NEGative	POSitive	

TRIGger:STARt:SOURce BUS | TIME | IMMEDIATE | MANual | SYNC | <function>

Description

Specifies the start trigger source.

Parameter(s)

BUS	Will trigger when a *TRG command is received
TIME	Will trigger at exact time
IMMEDIATE	No waiting for an event occurs.
MANual	The signal is user-generated by pressing the front panel "MEM" key.
SYNC	Trigger occurs whenever an edge of the synchronization signal is detected. This source is valid only for REALtime sweep (to use the EXTERNAL signal jack as a trigger the SYNC source must be set to EXTERNAL).
<function>	Condition on an averaged measurement function causes the trigger.

***RST state**

IMM

Example(s)

TRIG:STAR:SOUR IMM
TRIG:STAR:SOUR? Response: IMM

Invalidates

-

Invalidated by

-

TRIGger:STARt:TIME <yyyy,MM,dd,hh,mm,ss>

Description

The memory recording will start when the instrument's internal time reaches the specified value.

Parameter(s)

yyyy	Year
MM	Month
dd	Day
hh	Hours in 24 hour notation
mm	Minutes
ss	Seconds (integer value)

***RST state**

1970,1,1,0,0,0

Example(s)

TRIG:STAR:TIME 2002,01,01,11,00,00
TRIG:STAR:TIME? Response: 2002,01,01,11,00,00

Invalidates

-

Invalidated by

-

TRIGger:STARt:LEVel <level>

Description

When the start source for recording is an averaged measurement function, then this setting specifies the measurement function level that will trigger the recording.

Parameter(s) <level>

Range for this setting is not defined.

**RST state*

0.0

Example(s)

TRIG:STARt:LEV 50.0

TRIG:STARt:LEV? Response: 25.0

Invalidates

-

Invalidated by

-

TRIGger:STARt:SLOPe POSitive | NEGative

Description

When the stop source for recording is an averaged measurement function, then this setting specifies the slope.

Parameter(s)

POSitive	Triggers on positive slope.
NEGative	Triggers on negative slope.

**RST state*

POS

Example(s)

TRIG:STAR:SLOP POS

TRIG:STAR:SLOP? Response: POS

Invalidates

-

Invalidated by

-

TRIGger:STOP:SOURce TIME | IMMEDIATE | MANual | <function>

Description

Stop trigger source. The acquisition will stop either at specified date/time, when memory is full, recording time is reached, or the selected stop condition below is met, whichever comes first.

Parameter(s)

TIME	The acquisition will stop when either memory is full, recording time reached or at specified date/time, whichever comes first.
IMMediate	No additional stop condition is set. The acquisition will stop when either memory is full or recording time is reached, whichever comes first.
MANual	The acquisition will stop when either memory is full, recording time reached or front panel MEM key is pressed, whichever comes first. To stop the memory recording immediately, turn off the memory subsystem.
<function>	The acquisition will stop when either memory is full, recording time is reached, or condition on selected function is met, whichever comes first.

***RST state**

MAN

Example(s)

TRIG:STOP:SOUR MAN

TRIG:STOP:SOUR? Response: MAN

Invalidates

-

Invalidated by

-

TRIGger:STOP:TIME <yyyy,MM,dd,hh,mm,ss>

Description

The memory recording will stop when the instrument's internal time reaches the specified value.

Parameter(s)

yyyy	Year
MM	Month
dd	Day
hh	Hours in 24 hour notation
mm	Minutes
ss	Seconds (integer value)

***RST state**

1970,1,1,0,0,0

Example(s)

TRIG:STOP:TIME 2002,01,01,11,00,00

TRIG: STOP:TIME? Response: 2002,01,01,11,00,00

Invalidates

-

Invalidated by

-

TRIGger:STOP:LEVel <level>

Description

When the stop source for recording is an averaged measurement function, then this setting specifies the measurement function level that will stop the recording.

Parameter(s)

<level>

Range for this setting is not defined.

**RST state*

0.0

Example(s)

TRIG:STOP:LEV 50.0

TRIG:STOP:LEV? Response: 25.0

Invalidates

-

Invalidated by

-

TRIGger:STOP:SLOPe POSitive | NEGative

Description

When the stop source for recording is an averaged measurement function, then this setting specifies the slope.

Parameter(s)

POSitive	Stops recording on positive slope.
NEGative	Stops recording on negative slope.

**RST state*

POS

Example(s)

TRIG:STOP:SLOP POS

TRIG:STOP:SLOP? Response: POS

Invalidates

-

Invalidated by

-

SYSTem Subsystem

In this system, a number of commands for general functions that are not immediately related to power analysis, are combined.

Command	Parameter	Default Value/Unit	Remark
:SYSTem			
:COMMunicate			
:GPIB			
[:SELF]			
:ADDRess	1 to 30	5	
:SERial			
:BAUD	1200 2400 4800 9600 19200 38400 57600 115200	115200 bd	
:BITS	7 8	8 bits	<curr. unimplemented>
:SBITs	1 2	1 bit	<curr. unimplemented>
:CONTrol			
:RTS	ON IBFull RFR	RFR	<curr. unimplemented>
:PACE	XON NONE	NONE	<curr. unimplemented>
:PARity	EVEN ODD ZERO ONE NONE IGNore	NONE	<curr. unimplemented>
:DATE	Year,month,day		
:TIME	Hours,minutes,seconds		
:ERRor			
[:NEXT]?			Query only
:ALL?			Query only
:KLOCK	ON OFF REMote	OFF	
:LANGuage	"DEFault" "D5255S" "D5255T" "D5255M"	"DEFault"	
:VERSion?			Query only

SYSTem:COMMunicate:GPIB[:SELF]:ADDRess <addr>

Description

Sets the primary address of the optional GPIB interface.

Parameter(s)

1 to 30

Response

<addr>

*RST state

Not affected by *RST

Example(s)

SYST:COMM:GPIB:ADDR 10

SYST:COMM:GPIB:ADDR? Response: 5

Invalidates

-

Invalidated by

-

SYSTem:COMMunicate:SERial:BAUD <value>

Description

Sets the baud rate of the RS232 interface.

Parameter(s)

1200 | 2400 | 4800 | 9600 | 19200 | 38400 | 57600 | 115200

Response

<value>

**RST state*

Not affected by *RST

Example(s)

SYST:COMM:SER:BAUD 9600

SYST:COMM:SER:BAUD? Response: 115200

Invalidates

-

Invalidated by

-

SYSTem:DATE <year>,<month>,<day>

Description

Sets the internal instrument's clock date.

Parameter(s)

<year>	Must be <numeric_value>. The year is in four-digit numeric format.
<month>	Must be <numeric_value>. Its range is 1 to 12 inclusive. The number 1 corresponds to the month January, 2 to February, and so on.
<day>	Must be <numeric_value>. Its range is 1 to number of days in the month from the previous parameter.

**RST state*

Not affected by reset.

Example(s)

SYST:DATE 2001,2,5

SYST:DATE? Response: 2001,2,5

Invalidates

-

Invalidated by

-

SYSTem:TIME <hours>,<minutes>,<seconds>

Description

Sets the internal instrument's clock time.

Parameter(s)

<hours>	Must be <numeric_value>. The hours are in 24 hour notation.
<minutes>	Must be <numeric_value>. Its range is 0 to 59 inclusive.
<seconds>	Must be <numeric_value>. Its range is 0 to 59 inclusive.

**RST state*

Not affected by reset.

Example(s)

SYST:TIME 15,45,23

SYST:TIME? Response: 15,45,23

Invalidates

-

Invalidated by

-

SYSTem:ERRor[:NEXT]?

Description

Queries the error/event queue for the next item and removes it from the queue. The response returns the full queue item consisting of an integer and a string. If no errors are in the queue **0,"No error"** is returned.

Response

<code>,<text description>

**RST state*

Not affected by reset.

Example(s)

SYST:ERR? Response: -100,"Command Error"

Invalidates

-

Invalidated by

-

SYSTem:ERRor:ALL?

Description

Queries the error/event queue for all items and removes them from the queue. The response returns a semicolon-separated list of full queue items consisting of integer / string pairs. If no errors are in the queue **0,"No error"** is returned.

Response

<code>,<text description>[;<code>,<text description>[; ...]]

**RST state*

Not affected by reset.

Example(s)

SYST:ERR:ALL?

Response: -102,"Syntax Error";-113,"Undefined Header"

Invalidates

-

Invalidated by

-

SYSTem:KLOCK ON | OFF | REMote

Description

This command locks the local controls of an instrument. This includes any front panel, keyboard, or other local interfaces.

Parameter(s)

ON	All front panel controls are locked.
OFF	All front panel controls can be operated by user.
REMOte	All front panel controls except F6/Esc are locked when a remote control command is received.

**RST state*

OFF

Example(s)

SYST:KLOC ON

SYST:KLOC? Response: 1

Invalidates

-

Invalidated by

-

SYSTem:LANGUage "DEFault" | "D5255S" | "D5255T" | "D5255M"

Description

Switches to different command language. The standard SCPI command set is understood at all times.

Parameter(s)

"DEFault"	Standard SCPI command set.
"D5255S"	Legacy command set used by Norma D5255 Standard.
"D5255T"	Legacy command set used by Norma D5255 Transformer / Rectified Mean.
"D5255M"	Legacy command set used by D5255 Motor.

***RST state**

"DEFault"

Example(s)

SYST:LANGUage "D5255S"

Invalidates

-

Invalidated by

-

SYSTem:VERSion?

Description

This query returns an <NR2> formatted numeris value corresponding to the SCPI version number for which the instrument complies. The response has the form YYYY.V where Ys represent the year-version (e.g. 1990) and the V represents an approved revision number for that year.

Response

<version>

***RST state**

Not affected by reset.

Example(s)

SYST:VERS? Response: 1999.0

Invalidates

-

Invalidated by

-

STATus Subsystem

The STATus subsystem contains the commands for the status reporting system (see section “Status Reporting System”). *RST does not influence the status registers.

Command	Parameter	Default Value/Unit	Remark
STATus			
:OPERation			
[:EVENT]?			Query only
:CONDition?			Query only
:ENABle	0 to 65535		
:PTRansition	0 to 65535		
:NTRansition	0 to 65535		
:QUEStionable			
[:EVENT]?			Query only
:CONDition?			Query only
:ENABle	0 to 65535		
:PTRansition	0 to 65535		
:NTRansition	0 to 65535		
:VOLTag			
[:EVENT]?			Query only
:CONDition?			Query only
:ENABle	0 to 65535		
:PTRansition	0 to 65535		
:NTRansition	0 to 65535		
:CURRent			
[:EVENT]?			Query only
:CONDition?			Query only
:ENABle	0 to 65535		
:PTRansition	0 to 65535		
:NTRansition	0 to 65535		

STATus:QUEStionable:VOLTag:CONDition?

Description

Returns the contents of the condition register associated with the status structure defined in the command. Reading the condition register is nondestructive. The response is (NR1 NUMERIC RESPONSE DATA) (range: 0 through 32767).

Response

<value> is a 16 bit integer number in decimal notation.

bits 0 to 5	Voltage channels (1, 3, 5, 7, 9, 11) overload.
bits 8 to 13	Voltage channels (1, 3, 5, 7, 9, 11) underload.

***RST state**

Has no effect.

Example(s)

STAT:QUES:VOLT:COND? Response: 2 (voltage overload on phase 2)

Invalidates

-

Invalidated by

-

STATus:QUEStionable:VOLTag:e:PTRansition <value>

Description

Sets the positive transition filter. Setting a bit in the positive transition filter shall cause a 0 to 1 transition in the corresponding bit of the associated condition register to cause a 1 to be written in the associated bit of the corresponding event register. The command accepts parameter values of either format in the range 0 through 65535 (decimal) without error. The query response format is <NR1>.

Parameter(s)

bits 0 to 5	Voltage channels (1, 3, 5, 7, 9, 11) overload positive transition.
bits 8 to 13	Voltage channels (1, 3, 5, 7, 9, 11) underload positive transition.

***RST state**

0

Example(s)

STAT:QUES:VOLT:PTR 16191

STAT:QUES:VOLT:PTR? Response: 16191

Invalidates

-

Invalidated by

-

STATus:QUEStionable:VOLTag:e:NTRansition <value>

Description

Sets the negative transition filter. Setting a bit in the negative transition filter shall cause a 0 to 1 transition in the corresponding bit of the associated condition register to cause a 1 to be written in the associated bit of the corresponding event register. The command accepts parameter values of either format in the range 0 through 65535 (decimal) without error. The query response format is <NR1>.

Parameter(s)

bits 0 to 5	Voltage channels (1, 3, 5, 7, 9, 11) overload negative transition.
bits 8 to 13	Voltage channels (1, 3, 5, 7, 9, 11) underload negative transition.

***RST state**

0

Example(s)

STAT:QUES:VOLT:NTR 16191

STAT:QUES:VOLT:NTR? Response: 16191

Invalidates

-

Invalidated by

-

STATus:QUEStionable:VOLTagE[:EVENT]?

Description

This query returns the contents of the event register associated with the status structure defined in the command. The response is (NR1 NUMERIC RESPONSE DATA) (range: 0 through 32767) . Note that reading the event register clears it.

Response

<value> is a 16 bit integer number in decimal notation.

bits 0 to 5	Voltage channels (1, 3, 5, 7, 9, 11) overload event
bits 8 to 13	Voltage channels (1, 3, 5, 7, 9, 11) underload event.

***RST state**

Has no effect.

Example(s)

STAT:QUES:VOLT? Response: 2 (voltage overload on phase 2)

Invalidates

-

Invalidated by

-

STATus:QUEStionable:VOLTagE:ENABLe <value>

Description

Sets the enable mask that allows true conditions in the event register to be reported in the summary bit. If a bit is 1 in the enable register and its associated event bit transitions to true, a positive transition will occur in the associated summary bit. The command accepts parameter values of either format in the range 0 through 65535 (decimal) without error. The query response format is <NR1>.

Parameter(s)

bits 0 to 5	Voltage channels (1, 3, 5, 7, 9, 11) enable overload event.
bits 8 to 13	Voltage channels (1, 3, 5, 7, 9, 11) enable underload event.

**RST state*

0

Example(s)

STAT:QUES:VOLT:ENAB 16191

STAT:QUES:VOLT:ENAB? Response: 16191

Invalidates

-

Invalidated by

-

STATus:QUEStionable:CURRent:CONDition?

Description

Returns the contents of the condition register associated with the status structure defined in the command. Reading the condition register is nondestructive. The response is (NR1 NUMERIC RESPONSE DATA) (range: 0 through 32767).

Response

<value> is a 16 bit integer number in decimal notation.

bits 0 to 5	Current channels (0, 2, 4, 6, 8, 10) overload.
bits 8 to 13	Current channels (0, 2, 4, 6, 8, 10) underload.

**RST state*

Has no effect.

Example(s)

STAT:QUES:CURR:COND? Response: 2 (current overload on phase 2)

Invalidates

-

Invalidated by

-

STATus:QUEStionable:CURRent:PTRansition <value>

Description

Sets the positive transition filter. Setting a bit in the positive transition filter shall cause a 0 to 1 transition in the corresponding bit of the associated condition register to cause a 1 to be written in the associated bit of the corresponding event register. The command accepts parameter values of either format in the range 0 through 65535 (decimal) without error. The query response format is <NR1>.

Parameter(s)

bits 0 to 5	Current channels (0, 2, 4, 6, 8, 10) overload positive transition.
bits 8 to 13	Current channels (0, 2, 4, 6, 8, 10) underload positive transition.

***RST state**

0

Example(s)

STAT:QUES:CURR:PTR 16191

STAT:QUES:CURR:PTR? Response: 16191

Invalidates

-

Invalidated by

-

STATus:QUEStionable:CURRent:NTRansition <value>

Description

Sets the negative transition filter. Setting a bit in the negative transition filter shall cause a 0 to 1 transition in the corresponding bit of the associated condition register to cause a 1 to be written in the associated bit of the corresponding event register. The command accepts parameter values of either format in the range 0 through 65535 (decimal) without error. The query response format is <NR1>.

Parameter(s)

bits 0 to 5	Current channels (0, 2, 4, 6, 8, 10) overload negative transition.
bits 8 to 13	Current channels (0, 2, 4, 6, 8, 10) underload negative transition.

***RST state**

0

Example(s)

STAT:QUES:CURR:NTR 16191

STAT:QUES:CURR:NTR? Response: 16191

Invalidates

-

Invalidated by

-

STATus:QUEStionable:CURRent[:EVENT]?

Description

This query returns the contents of the event register associated with the status structure defined in the command. The response is (NR1 NUMERIC RESPONSE DATA) (range: 0 through 32767). Note that reading the event register clears it.

Response

<value> is a 16 bit integer number in decimal notation.

bits 0 to 5	Current channels (0, 2, 4, 6, 8, 10) event.
bits 8 to 13	Current channels (0, 2, 4, 6, 8, 10) event.

***RST state**

Has no effect.

Example(s)

STAT:QUES:CURR? Response: 2 (current overload on phase 2)

Invalidates

-

Invalidated by

-

STATus:QUEStionable:CURRent:ENABle <value>

Description

Sets the enable mask that allows true conditions in the event register to be reported in the summary bit. If a bit is 1 in the enable register and its associated event bit transitions to true, a positive transition will occur in the associated summary bit. The command accepts parameter values of either format in the range 0 through 65535 (decimal) without error. The query response format is <NR1>.

Parameter(s)

bits 0 to 5	Current channels (0, 2, 4, 6, 8, 10) enable overload event.
bits 8 to 13	Current channels (0, 2, 4, 6, 8, 10) enable underload event.

***RST state**

0

Example(s)

STAT:QUES:CURR:ENAB 16191

STAT:QUES:CURR:ENAB? Response: 16191

Invalidates

-

Invalidated by

-

STATus:QUEStionable:CONDition?

Description

Returns the contents of the condition register associated with the status structure defined in the command. Reading the condition register is nondestructive. The response is (NR1 NUMERIC RESPONSE DATA) (range: 0 through 32767).

Response

<value> is a 16 bit integer number in decimal notation.

bit 0	Voltage summary questionable.
bit 1	Current summary questionable.
bit 5	Frequency questionable.

***RST state**

Has no effect.

Example(s)

STAT:QUES:COND?

Response: 1 (voltage over/underload on some phase)

Invalidates

-

Invalidated by

-

STATus:QUEStionable:PTRansition <value>

Description

Sets the positive transition filter. Setting a bit in the positive transition filter shall cause a 0 to 1 transition in the corresponding bit of the associated condition register to cause a 1 to be written in the associated bit of the corresponding event register. The command accepts parameter values of either format in the range 0 through 65535 (decimal) without error. The query response format is <NR1>.

Parameter(s)

bit 0	Voltage summary questionable.
bit 1	Current summary questionable.
bit 5	Frequency questionable.

***RST state**

0

Example(s)

STAT:QUES:PTR 35

STAT:QUES:PTR? Response: 35

Invalidates

-

Invalidated by

-

STATus:QUEStionable:NTRansition <value>

Description

Sets the negative transition filter. Setting a bit in the negative transition filter shall cause a 0 to 1 transition in the corresponding bit of the associated condition register to cause a 1 to be written in the associated bit of the corresponding event register. The command accepts parameter values of either format in the range 0 through 65535 (decimal) without error. The query response format is <NR1>.

Parameter(s)

bit 0	Voltage summary questionable.
bit 1	Current summary questionable.
bit 5	Frequency questionable.

***RST state**

0

Example(s)

STAT:QUES:NTR 35
STAT:QUES:NTR? Response: 35

Invalidates

-

Invalidated by

-

STATus:QUEStionable[:EVENT]?

Description

This query returns the contents of the event register associated with the status structure defined in the command. The response is (NR1 NUMERIC RESPONSE DATA) (range: 0 through 32767) . Note that reading the event register clears it.

Response

<value> is a 16 bit integer number in decimal notation.

bit 0	Voltage summary questionable.
bit 1	Current summary questionable.
bit 5	Frequency questionable.

***RST state**

Has no effect.

Example(s)

STAT:QUES? Response: 1 (voltage overload/underload on some phase)

Invalidates

-

Invalidated by

-

STATus:QUEStionable:ENABle <value>

Description

Sets the enable mask that allows true conditions in the event register to be reported in the summary bit. If a bit is 1 in the enable register and its associated event bit transitions to true, a positive transition will occur in the associated summary bit. The command accepts parameter values of either format in the range 0 through 65535 (decimal) without error. The query response format is <NR1>.

Parameter(s)

bit 0	Voltage summary questionable.
bit 1	Current summary questionable.
bit 5	Frequency questionable.

**RST state*

0

Example(s)

STAT:QUES:ENAB 35
STAT:QUES:ENAB? Response: 35

Invalidates

-

Invalidated by

-

STATus:OPERation:CONDition?

Description

Returns the contents of the condition register associated with the status structure defined in the command. Reading the condition register is nondestructive. The response is (NR1 NUMERIC RESPONSE DATA) (range: 0 through 32767).

Response

bit 2	Ranging (changing range).
bit 3	Sweeping (memory recording in progress).
bit 5	Waiting for trigger.
bit 8	Synchronized (if sync source changes, there is a glitch).
bit 10	Averaging (averaging in progress, at the end of each averaging cycle, there is a glitch).
bit 12	Spectrum CALCulation in progress.

**RST state*

Has no effect.

Example(s)

STAT:OPER:COND? Response: 1280 (synchronized & averaging)

Invalidates

-

Invalidated by

-

STATus:OPERation:PTRansition <value>

Description

Sets the positive transition filter. Setting a bit in the positive transition filter shall cause a 0 to 1 transition in the corresponding bit of the associated condition register to cause a 1 to be written in the associated bit of the corresponding event.

Parameter(s)

bit 2	Ranging (changing range).
bit 3	Sweeping (memory recording in progress).
bit 5	Waiting for trigger.
bit 8	Synchronized (if sync source changes, there is a glitch).
bit 10	Averaging (averaging in progress, at the end of each averaging cycle, there is a glitch).
bit 12	Spectrum CALCulation in progress.

**RST state*

0

Example(s)

STAT:OPER:PTR 5948

STAT:OPER:PTR? Response: 5948

Invalidates

-

Invalidated by

-

STATus:OPERation:NTRansition <value>

Description

Sets the negative transition filter. Setting a bit in the negative transition filter shall cause a 1 to 0 transition in the corresponding bit of the associated condition register to cause a 1 to be written in the associated bit of the corresponding event.

Parameter(s)

bit 2	Ranging (changing range).
bit 3	Sweeping (memory recording in progress).
bit 5	Waiting for trigger.
bit 8	Synchronized (if sync source changes, there is a glitch).
bit 10	Averaging (averaging in progress, at the end of each averaging cycle, there is a glitch).
bit 12	Spectrum CALCulation in progress.

***RST state**

0

Example(s)

STAT:OPER:NTR 5948

STAT:OPER:NTR? Response: 5948

Invalidates

-

Invalidated by

-

STATus:OPERation[:EVENT]?

Description

This query returns the contents of the event register associated with the status structure defined in the command. The response is (NR1 NUMERIC RESPONSE DATA) (range: 0 through 32767) . Note that reading the event register clears it.

Response

<value> is a 16 bit integer number in decimal notation.

bit 2	Ranging (changing range).
bit 3	Sweeping (memory recording in progress).
bit 5	Waiting for trigger.
bit 8	Synchronized (if sync source changes, there is a glitch).
bit 10	Averaging (averaging in progress, at the end of each averaging cycle, there is a glitch).
bit 12	Spectrum CALCulation in progress.

***RST state**

Has no effect.

Example(s)

STAT:OPER? Response: 2 (changing range)

Invalidates

-

Invalidated by

-

STATus:OPERation:ENABle <value>

Description

Sets the enable mask that allows true conditions in the event register to be reported in the summary bit. If a bit is 1 in the enable register and its associated event bit transitions to true, a positive transition will occur in the associated summary bit. The command accepts parameter values of either format in the range 0 through 65535 (decimal) without error. The query response format is <NR1>.

Parameter(s)

bit 2	Ranging (changing range).
bit 3	Sweeping (memory recording in progress).
bit 5	Waiting for trigger.
bit 8	Synchronized (if sync source changes, there is a glitch).
bit 10	Averaging (averaging in progress, at the end of each averaging cycle, there is a glitch).
bit 12	Spectrum CALCulation in progress.

***RST state**

0

Example(s)

STAT:OPER:ENAB 5948

STAT:OPER:ENAB? Response: 5948

Invalidates

-

Invalidated by

-

List of Commands Grouped by Subsystems

Command	Parameter	State
*CLS		
*ESE	0 to 255	
*ESR?		
*IDN?		
*OPC		
*OPC?		
*OPT?		
*RST		
*SRE	0 to 255	
*STB?		
*WAI		
*SAV	10 to 24	
*RCL	1, 2, 10 to 24	
*LRN?		
*TRG		
ABORt		
CALCulate:TRANsform:FREQuency[:STATe]	ONCE	
CALCulate:TRANsform:FREQuency:MODE	FFT DFT STD	STD: FW V1.5 and up
CALCulate:TRANsform:FREQuency:FUNCTion	<function list>	
CALCulate:TRANsform:FREQuency:STARt	<frequency>	for FFT and DFT only
CALCulate:TRANsform:FREQuency:STOP	<frequency>	for FFT and DFT only
CALCulate:TRANsform:FREQuency:CYCLes	4 6 8 10 12	for STD only (FW V1.5 and up)
CALCulate:TRANsform:FREQuency:GROuping	COMPonent HARMonic HGRoup HSGRoup ISGRoup SGRoup	for STD only (FW V1.5 and up)
CALC:DATA?	[<count>[,<offset>]]	
CALC:DATA:PREamble?		
CALC:DATA:THD?		for STD only (FW V1.5 and up)
CALCulate:INTegral[:STATe]	ON OFF	
CALCulate:INTegral:CLEar[:IMMediate]		
CALCulate:INTegral:CLEar:AUTO	ON OFF	

CALCulate:INTEgral:START:SOURce	CMD TIME MAN	
CALCulate:INTEgral:START[:IMMEDIATE]		
CALCulate:INTEgral:START:TIME	yyyy,MM,dd,hh,mm,ss	
CALCulate:INTEgral:STOP:SOURce	CMD TIME MAN TINTerval	
CALCulate:INTEgral:STOP[:IMMEDIATE]		
CALCulate:INTEgral:STOP:TIME	yyyy,MM,dd,hh,mm,ss	
CALCulate:INTEgral:STOP:TINTerval	1.0e-3 to 9.99e+6	
CALCulate:HARMonic:ORDer	<order>	
CALCulate:POWer:CORReCted	STAR DELTA	FW V1.4 and up
CALCulate:POWer:EFFiciency:REFerence	<function1>, <function2>	
DISPlay[:WINDow][:STATe]	ON OFF	
DISPlay:USER:FUNCTion	<function list>	
FORMat[:DATA]	ASCIi REAL, [0..8] [32 64]	
FORMat[:DATA]:STATus	ASCIi INTEger, [8] 16 32	
FORMat:BOReD	NORMal SWAPped	
FORMat:TRANSpOse	ON OFF	
HCOPY:SDUMp:DATA?		
INITiate:CONTInuous	ON OFF	
INITiate[:IMMEDIATE]		
INITiate[:IMMEDIATE]:SEQUence1 INITiate[:IMMEDIATE]:NAME START		
INITiate[:IMMEDIATE]:SEQUence2 INITiate[:IMMEDIATE]:NAME STOP		
INPut[1..12]:COUPLing	AC DC	
INPut[1 2 3 4 5 6 7 8 9 10 11 12]:GAIN	1.0e-7 to 1.0e+7	
INPut[1..12]:FILTer[:STATe]	ON OFF	
INPut[1..12]:FILTer[:LPASs]:FREQUency?		
INPut[1 2 3 4 5 6 7 8 9 10 11 12]:SHUNT	INTernal EXTernal	
INPut[21..28]:TYPE	VOLTage FREQUency	Option PI1
OUTPut9[:STATe]	ON OFF	
ROUte:SYSTem	"3W" "2W"	
[SENSe:]CURRent[1..6][VOLTage[1..6]:AC[:DC]: RANGe[:UPPer]	0.3 to 1000.0 V, 0.03 to 10.0 A, 0.03 to 10 V	
[SENSe:]CURRent[1..6][VOLTage[1..6]:AC[:DC]: SCALE	0.9 to 1.0e+7	

[SENSe:]CURRent[1..6]]VOLTage[1..6]:AC[:DC]:RANGe[:UPPer]:LIST?		
[SENSe:]CURRent[1..6]]VOLTage[1..6]:AC[:DC]:RANGe[:UPPer]:AUTO	ON OFF	
[SENSe:]CURRent[1..6]]VOLTage[1..6]][:POWer]:AC[:DC]:APERture	0.015 to 3600.0 s	
[SENSe:]SWEep:FREQuency?		
[SENSe:]FUNctIon[:ON]	<function>{,<function>}	
[SENSe:]FUNctIon[:ON]:ALL		
[SENSe:]FUNctIon:OFF:ALL		
[SENSe:]FUNctIon:CONCurrent	ON OFF	
[SENSe:]FUNctIon[:ON]:COUNT?		
[SENSe:]DATA?	[<function>{,<function...>}]	
[SENSe:]DATA:STATus?	[<function>{,<function...>}]	
[SENSe:]SWEep1 2:TIME	<value> MAX	
[SENSe:]SWEep1 2:OFFSet:TIME	<value> MAX	
[SENSe:]SWEep1 2:POINTS?		
[SENSe:]SWEep1 2:OFFSet:POINTS?		
[SENSe:]SWEep1 2[:STATe]	ON OFF	
[SENSe:]SWEep1 2:COUNT	<count>	
[SENSe:]SWEep1 2:SFACTor	1 to 65535	
[SENSe:]SWEep1 2:FUNctIon	<function list>	
SENSe2:TORQue[1..4]:VOLTage:SCALE	-1e6 to 1e6	Option PI1
SENSe2:TORQue[1..4]:VOLTage:OFFSet[:VALue]	-1e6 to 1e6	Option PI1
SENSe2:TORQue[1..4]:VOLTage:OFFSet:IMMediate		Option PI1
SENSe2:TORQue[1..4]:FREQuency:SCALE	-1e6 to 1e6	Option PI1
SENSe2:TORQue[1..4]:FREQuency:OFFSet[:VALue]	-1e6 to 1e6	Option PI1
SENSe2:TORQue[1..4]:FREQuency:OFFSet:IMMediate		Option PI1
SENSe2:SPEEd[1..4]:VOLTage:SCALE[:DEFauLt]	-1e6 to 1e6	Option PI1
SENSe2:SPEEd[1..4]:VOLTage:OFFSet[:VALue]	-1e6 to 1e6	Option PI1
SENSe2:SPEEd[1..4]:VOLTage:OFFSet:IMMediate		Option PI1
SENSe2:SPEEd[1..4]:FREQuency:SCALE[:DEFauLt]	-1e6 to 1e6	Option PI1

Remote Control

Users Guide

SENSe2:SPEed[1..4]:FREQuency:SCALe:PULSe	1 to 100000	Option PI1
SENSe2:SPEed[1..4]:FREQuency:OFFSet[:VALUe]	-1e6 to 1e6	Option PI1
SENSe2:SPEed[1..4]:FREQuency:OFFSet:IMMediate		Option PI1
SENSe2:TYPe[1..4]	MOTor GENerator	Option PI1
SENSe2:POLepairs[1..4]	1 to 999	Option PI1
SENSe2:REFerence[1..4][:POWer]	"POWer[1..6][:ACTive]"	Option PI1
SOURce:VOLTage[1..4]:MODE	FIXed VARiable	Option PI1
SOURce:VOLTage[1..4][:LEVel][:IMMediate][:AMPLitude]	-10.3 to 10.3	Option PI1
SOURce:VOLTage[1..4]:FEED	<function>	Option PI1
SOURce:VOLTage[1..4]:GAIN	-1e6 to 1e6	Option PI1
SOURce:VOLTage[1..4]:ZERO	-1e6 to 1e6	Option PI1
SYNC:STATe	ON OFF	
SYNC:SOURce	VOLTage[1..6] CURRent[1..6] EXTernal	
SYNC[:SOURce][:CURRent[1..6] VOLTage[1..6]][:LEVel]	(-150% to 150% of nominal input range)	
SYNC:LEVel:UNIT	ABSolute PCT	
SYNC[:SOURce][:CURRent[1..6] VOLTage[1..6]][:SLOPe]	POSitive NEGative	SOUR only
SYNC[:SOURce][:CURRent[1..6] VOLTage[1..6]][:FILTer][:LPASs][:STATe]]	ON OFF	SOUR only
SYNC[:SOURce][:CURRent[1..6] VOLTage[1..6]][:FILTer][:LPASs]:FREQuency	100Hz, 1kHz, 10kHz	SOUR only
SYNC:TIMEout	0.015 to 3600 s	
TIMer:RESet		
TIMer:RESet:AUTO	ON OFF	n. i.
TIMer:RESet:TIME?		
TRACe[:DATA]:PREamble?	<block>	
TRACe[:DATA]?	[<block> [,<count> [,<offset> [,<sparsing>[,opt_level]]]]]	
TRACe[:DATA]:STATus?	[<block> [,<count> [,<offset> [,<sparsing>]]]]]	
TRACe:FREE?		
TRACe:CATalog:LENgth?		
TRACe:DELeTe:ALL		

TRIGger:STARt:SOURce	BUS TIME IMMEDIATE MANUAL SYNC <function>	
TRIGger:STARt:TIME	yyyy,MM,dd,hh,mm,ss	
TRIGger:STARt:LEVel	<level>	
TRIGger:STARt:SLOPe	POSitive NEGative	
TRIGger:STOP:SOURce	TIME IMMEDIATE MANUAL <function>	
TRIGger: STOP:TIME	yyyy,MM,dd,hh,mm,ss	
TRIGger:STOP:LEVel	<level>	
TRIGger:STOP:SLOPe	POSitive NEGative	
SYSTem:COMMunicate:GPIB[:SELF]:ADDRess	1 to 30	
SYSTem:COMMunicate:SERial:BAUD	1200 to 115200	
SYSTem:DATE	<year>,<month>,<day>	
SYSTem:TIME	<hours>,<minutes>,<seconds>	
SYSTem:ERRor[:NEXT]?		
SYSTem:ERRor:ALL?		
SYSTem:KLOCK	ON OFF REMote	
SYSTem:LANGuage	"DEFault" "D5255S" "D5255T" "D5255M"	
SYSTem:VERSion?		
STATus:QUEStionable:VOLTagE:CONDition?		
STATus:QUEStionable:VOLTagE:PTRansition	0 to 65535	
STATus:QUEStionable:VOLTagE:NTRansition	0 to 65535	
STATus:QUEStionable:VOLTagE[:EVENT]?		
STATus:QUEStionable:VOLTagE:ENABle	0 to 65535	
STATus:QUEStionable:CURREnt:CONDition?		
STATus:QUEStionable:CURREnt:PTRansition	0 to 65535	
STATus:QUEStionable:CURREnt:NTRansition	0 to 65535	
STATus:QUEStionable:CURREnt[:EVENT]?		
STATus:QUEStionable:CURREnt:ENABle	0 to 65535	
STATus:QUEStionable:CONDition?		
STATus:QUEStionable:PTRansition	0 to 65535	
STATus:QUEStionable:NTRansition	0 to 65535	
STATus:QUEStionable[:EVENT]?		
STATus:QUEStionable:ENABle	0 to 65535	

Remote Control

Users Guide

STATus:OPERation:CONDition?		
STATus:OPERation:PTRansition	0 to 65535	
STATus:OPERation:NTRansition	0 to 65535	
STATus:OPERation[:EVENT]?		
STATus:OPERation:ENABle	0 to 65535	
n. i. – Not Implemented		

Chapter 5

Error Messages

Title	Page
Introduction.....	5-3
Command Error	5-3
Execution Error.....	5-5
Device-Specific Error	5-7
Query Error.....	5-8

Introduction

Error messages are entered in the error/event queue of the status reporting system in the remote control mode and can be queried with the command `SYSTEM:ERROR?`. The answer format of instrument to the command is as follows:

`<error code>, "<error description>;<remote control command concerned>"`

The indication of the remote control command with prefixed semicolon is optional.

Example

The command `"TEST:COMMAND"` generates the following answer to the query `SYSTEM:ERROR?` :

```
-113,"Undefined header;TEST:COMMAND"
```

The subsequent list contains the description of error texts displayed on the instrument. Distinction is made between error messages defined by SCPI, which are marked by negative error codes, and the device-specific error messages for which positive error codes are used.

The right-hand column in the following tables contains the error text in bold that is entered in the error/event queue and can be read out by means of query `SYSTEM:ERROR?`. A short explanation of the error cause is given below. The left-hand column contains the associated error code.

Events that generate command errors shall not generate execution errors, device-specific errors, or query errors; see the other error definitions in this chapter.

Command Error

An `<error/event number>` in the range [-199 , -100] indicates that an IEEE 488.2 syntax error has been detected by the instrument's parser. The occurrence of any error in this class causes the command error bit (bit 5) in the event status register (IEEE 488.2, section 11.5.1) to be set. One of the following events has occurred:

- An IEEE 488.2 syntax error has been detected by the parser. That is, a controller-to-device message was received that is in violation of the IEEE 488.2 standard. Possible violations include a data element that violates the device listening formats or whose type is unacceptable to the device.
- An unrecognized header was received. Unrecognized headers include incorrect device-specific headers and incorrect or unimplemented IEEE 488.2 common commands.

Error Number	ErrorDescription [description/explanation/examples]
-100	<p>Command error</p> <p>[This is the generic syntax error for devices that cannot detect more specific errors. This code indicates only that a Command Error as defined in IEEE 488.2, 11.5.1.1.4 has occurred.]</p>
-101	<p>Invalid character</p> <p>[A syntactic element contains a character that is invalid for that type; for example, a header containing an ampersand, SETUP&.]</p>
-102	<p>Syntax error</p> <p>[An unrecognized command or data type was encountered; for example, a string was received when the device does not accept strings.]</p>
-103	<p>Invalid separator</p> <p>[The parser was expecting a separator and encountered an illegal character; for example, the semicolon was omitted after a program message unit, *SRE 1:INP1:COUP AC.]</p>
-104	<p>Data type error</p> <p>[The parser recognized a data element different than one allowed; for example, numeric or string data was expected but block data was encountered.]</p>
-108	<p>Parameter not allowed</p> <p>[More parameters were received than expected for the header; for example, the *SRE common command only accepts one parameter, so receiving *SRE 2,1 is not allowed.]</p>
-109	<p>Missing parameter</p> <p>[Fewer parameters were received than required for the header; for example, the *SRE common command requires one parameter, so receiving *SRE is not allowed.]</p>
-110	<p>Command header error</p> <p>[An error was detected in the header.]</p>
-112	<p>Program mnemonic too long</p> <p>[The header contains more than twelve characters (see IEEE 488.2, 7.6.1.4.1).]</p>
-113	<p>Undefined header</p> <p>[The header is syntactically correct, but it is undefined for this specific device; for example, *XYZ is not defined for any device.]</p>
-114	<p>Header suffix out of range</p> <p>[The value of a numeric suffix attached to a program mnemonic, see Syntax and Style section, makes the header invalid.]</p>
-120	<p>Numeric data error</p> <p>[This error is generated when parsing a data element that appears to be numeric, including the nondecimal numeric types. For example INP:GAIN 1.0X2 will generate this error.]</p>

-130	Suffix error [This error, as well as errors -131 through -139, are generated when parsing a suffix.]
-131	Invalid suffix [The suffix does not follow the syntax described in IEEE 488.2, 7.7.3.2, or the suffix is inappropriate for this device.]
-134	Suffix too long [The suffix contained more than 12 characters (see IEEE 488.2, 7.7.3.4).]
-138	Suffix not allowed [A suffix was encountered after a numeric element that does not allow suffixes.]
-140	Character data error [This error is generated when parsing a character data element. For example INP:COUP XYZ will generate this error.]
-141	Invalid character data [Either the character data element contains an invalid character or the particular element received is not valid for the header.]
-144	Character data too long [The character data element contains more than twelve characters (see IEEE488.2, 7.7.1.4).]
-148	Character data not allowed [A legal character data element was encountered where prohibited by the device.]
-150	String data error [This error is generated when parsing a string data element. For example FUNC "XYZ" will generate this error.]
-151	Invalid string data [A string data element was expected, but was invalid for some reason (see IEEE488.2, 7.7.5.2); for example, an END message was received before the terminal quote character.]

Execution Error

An <error/event number> in the range [-299 , -200] indicates that an error has been detected by the instrument's execution control block. The occurrence of any error in this class shall cause the execution error bit (bit 4) in the event status register (*IEEE 488.2*, section 11.5.1) to be set. One of the following events has occurred:

- A <PROGRAM DATA> element following a header was evaluated by the device as outside of its legal input range or is otherwise inconsistent with the device's capabilities.
- A valid program message could not be properly executed due to some device condition.

Execution errors are reported by the instrument after rounding and expression evaluation operations have taken place. Rounding a numeric data element, for example, will not be reported as an execution error.

Error Number	Error String [description/explanation/examples]
-200	<p>Execution error</p> <p>[This is the generic syntax error for devices that cannot detect more specific errors. This code indicates only that an Execution Error as defined in IEEE 488.2, 11.5.1.1.5 has occurred.]</p>
-203	<p>Command protected</p> <p>[Indicates that a legal password-protected program command or query could not be executed because the command was disabled.]</p>
-212	<p>Arm ignored</p> <p>[Indicates that an arming signal was received and recognized by the device but was ignored. Instrument will generate this error when ARM is received, but memory recording is not configured.]</p>
-213	<p>Init ignored</p> <p>[Indicates that a request for a measurement was ignored as another measurement was already in progress.]</p>
-221	<p>Settings conflict</p> <p>[Indicates that a legal program data element was parsed but could not be executed due to the current device state (see IEEE 488.2, 6.4.5.3 and 11.5.1.1.5.)]</p>
-222	<p>Data out of range</p> <p>[Indicates that a legal program data element was parsed but could not be executed because the interpreted value was outside the legal range as defined by the device (see IEEE 488.2, 11.5.1.1.5.)]</p>
-223	<p>Too much data</p> <p>[Indicates that a legal program data element of block, expression, or string type was received that contained more data than the device could handle due to memory or related device-specific requirements.]</p>
-224	<p>Illegal parameter value</p> <p>[Used where exact value, from a list of possibilities, was expected.]</p>
-225	<p>Out of memory.</p> <p>[The device has insufficient memory to perform the requested operation.]</p>
-230	<p>Data corrupt or stale</p> <p>[Possibly invalid data; new reading started but not completed since last access.]</p>
-240	<p>Hardware error</p> <p>[Indicates that a legal program command or query could not be executed because of a hardware problem in the device.]</p>

Device-Specific Error

An <error/event number> in the range [-399 , -300] or [1 , 32767] indicates that the instrument has detected an error, possibly due to an abnormal hardware or firmware condition. These codes are also used for self-test response errors. The occurrence of any error in this class causes the device-specific error bit (bit 3) in the event status register (*IEEE 488.2*, section 11.5.1) to be set.

Error Number	Error String [description/explanation/examples]
-300	Device-specific error [This is the generic device-dependent error for devices that cannot detect more specific errors. This code indicates only that a Device-Dependent Error as defined in IEEE 488.2, 11.5.1.1.6 has occurred.]
-310	System error [Indicates that some error, termed "system error" by the device, has occurred. This code is device-dependent.]
-311	Memory error [Indicates some physical fault in the device's memory, such as parity error.]
-313	Calibration memory lost [Indicates that nonvolatile calibration data used by the *CAL? command has been lost.]
-314	Save/recall memory lost [Indicates that the nonvolatile data saved by the *SAV? command has been lost.]
-315	Configuration memory lost [Indicates that nonvolatile configuration data saved by the device has been lost.]
-320	Storage fault [Indicates that the firmware detected a fault when using data storage. This error is not an indication of physical damage or failure of any mass storage element.]
-325	Sample factor adjusted [Indicates that applying current configuration caused the sample factor to be adjusted.]
-326	Recording time too long [Indicates that the data acquired within the specified recording time would not fit into the available memory.]
-330	Self-test failed
-340	Calibration failed
-350	Queue overflow [A specific code entered into the queue in lieu of the code that caused the error. This code indicates that there is no room in the queue and an error occurred but was not recorded.]
-360	Communication error

Query Error

An <error/event number> in the range [-499 , -400] indicates that the output queue control of the instrument has detected a problem with the message exchange protocol described in *IEEE 488.2*, chapter 6. The occurrence of any error in this class will cause the query error bit (bit 2) in the event status register (*IEEE 488.2*, section 11.5.1) to be set. These errors correspond to message exchange protocol errors described in *IEEE 488.2*, section 6.5. One of the following is true:

- An attempt is being made to read data from the output queue when no output is either present or pending;
- Data in the output queue has been lost.
- Events that generate query errors shall not generate command errors, execution errors, or device-specific errors; see the other error definitions in this section.

Error Number	Error String [description/explanation/examples]
-400	Query error[This is the generic query error for devices that cannot detect more specific errors. This code indicates only that a Query Error as defined in IEEE 488.2, 11.5.1.1.7 and 6.3 has occurred.]
-410	Query INTERRUPTED[Indicates that a condition causing an INTERRUPTED Query error occurred (see IEEE 488.2, 6.3.2.3); for example, a query followed by DAB or GET before a response was completely sent.]
-420	Query UNTERMINATED[Indicates that a condition causing an UNTERMINATED Query error occurred (see IEEE 488.2, 6.3.2.2); for example, the device was addressed to talk and an incomplete program message was received.]
-430	Query DEADLOCKED[Indicates that a condition causing an DEADLOCKED Query error occurred (see IEEE 488.2, 6.3.1.7); for example, both input buffer and output buffer are full and the device cannot continue.]
-440	Query UNTERMINATED after indefinite response [Indicates that a query was received in the same program message after a query requesting an indefinite response was executed (see IEEE 488.2, 6.5.7.5).]

Chapter 6

Programming Examples

Title	Page
Introduction.....	6-3
Initialize Interface	6-3
Initialize Instrument.....	6-5
Perform Simple Power Measurement	6-6
U, I, P Measurement	6-9
Continuous Power Measurement	6-11
U, I, P Measurement over Ethernet Interface without VISA Library	6-14
U, I, P Measurement over RS-232 Interface without VISA Library	6-19

Introduction

The following examples explain how to program the instrument and can serve as a basis to solve more complex programming tasks. In these examples, the interface (RS-232 / GPIB / ethernet) can be selected by setting constant 'INTFC' to corresponding 'INTFC_...' constant. Communication parameters (e.g. serial port, baud rate, IP address, etc.) are set using 'RSRC_NAME' and 'RSRC_ATTR_...' constants.

The programming examples are written in ANSI C using VISA library implemented according to version 2.2 of the VISA specification (www.vxiimp.org), for example National instruments VISA 2.5 or higher. It is possible to communicate with the instrument over RS-232 or Ethernet interface using basic operating system (e.g. Win32 or UNIX) API only, that is, without using VISA library. There is one such example for ethernet interface (using Win32 API) later in this chapter.

Initialize Interface

The interface must be initialized before any communication with the instrument takes place.

The interface must be initialized before any communication with the instrument takes place.

```

/*
 * INITIALIZE INTERFACE
 *
 * This program will open VISA session to the instrument.
 * The program uses RS-232, GPIB or ethernet interface depending
 * on the setting of 'INTFC' constant and sets the I/O timeout
 * to 10 seconds.
 */

#include <visa.h>
#include <stdio.h>

#define INTFC_RS232 1 /* RS-232 interface */
#define INTFC_GPIB 2 /* GPIB / IEEE 488.2 interface */
#define INTFC_LAN 3 /* ethernet / IEEE 802.3 interface */
#define INTFC_USB 4 /* USB interface (Virtual COM Port) */

#if 1
#define INTFC INTFC_RS232
#elif 1
#define INTFC INTFC_GPIB
#elif 1
#define INTFC INTFC_LAN
#else
#define INTFC INTFC_USB
#endif

#if INTFC == INTFC_RS232
# define RSRC_NAME "ASRL1" /* COM1 */
# define RSRC_ATTR_BAUD 115200 /* baud rate */
# define RSRC_ATTR_FLOW_CNTRL VI_ASRL_FLOW_RTS_CTS /* flow control */
#elif INTFC == INTFC_GPIB
# define RSRC_NAME "GPIB::5"

```

```
#elif INTFC == INTFC_LAN
#   define RSRC_NAME          "TCPIP::192.168.2.251::23::SOCKET"
#elif INTFC == INTFC_USB
#   define RSRC_NAME          "ASRL2"                /* COM2 */
#else
#error 'INTFC': unsupported value
#endif

ViSession  rm,          // Default resource manager session
           vi;          // VISA session

int main(int argc,char *argv[])
{
#define CHECK_STATUS(cond,func,status)      {                \
    if ( cond )                            \
    {                                       \
        fprintf(stderr,"%s failed, status 0x%lX\n",func,status); \
        return 1;                          \
    }                                       \
}

ViStatus status;

(void) argc;
(void) argv;

/* Open default resource manager: */
status = viOpenDefaultRM (&rm);
CHECK_STATUS(status < VI_SUCCESS,"viOpenDefaultRM()",status);

/* Open VISA session to the instrument: */
status = viOpen (rm,RSRC_NAME,VI_NULL,0,&vi);
CHECK_STATUS(status != VI_SUCCESS,"viOpen()",status);

/* Set timeout to 10 seconds: */
status = viSetAttribute (vi, VI_ATTR_TMO_VALUE, 10000);
CHECK_STATUS(status != VI_SUCCESS,"viSetAttribute()",status);

/* Close VISA session to the instrument: */
status = viClose (vi);
CHECK_STATUS(status != VI_SUCCESS,"viClose(vi)",status);

/* Close session to the default resource manager: */
status = viClose(rm);
CHECK_STATUS(status != VI_SUCCESS,"viClose(rm)",status);

puts("OK");

return 0;

#undef CHECK_STATUS
}
```

Initialize Instrument

Before any further communication, the instrument's identity should be verified and the instrument should be brought into a known (default) state.

```

/*
 * IDENTIFY AND RESET THE INSTRUMENT
 *
 * This program will open VISA session to the instrument, read ID string
 * and reset the instrument.
 */

#include <visa.h>
#include <stdio.h>

#define INTFC_RS232 1 /* RS-232 interface */
#define INTFC_GPIB 2 /* GPIB / IEEE 488.2 interface */
#define INTFC_LAN 3 /* ethernet / IEEE 802.3 interface */
#define INTFC_USB 4 /* USB interface (Virtual COM Port) */

#if 1
#define INTFC INTFC_RS232
#elif 1
#define INTFC INTFC_GPIB
#elif 1
#define INTFC INTFC_LAN
#else
#define INTFC INTFC_USB
#endif

#if INTFC == INTFC_RS232
# define RSRC_NAME "ASRL1" /* COM1 */
# define RSRC_ATTR_BAUD 115200 /* baud rate */
# define RSRC_ATTR_FLOW_CNTRL VI_ASRL_FLOW_RTS_CTS /* flow control */
#elif INTFC == INTFC_GPIB
# define RSRC_NAME "GPIB::5"
#elif INTFC == INTFC_LAN
# define RSRC_NAME "TCPIP::192.168.2.251::23::SOCKET"
#elif INTFC == INTFC_USB
# define RSRC_NAME "ASRL2" /* COM2 */
#else
#error 'INTFC': unsupported value
#endif

ViSession rm, /* Default resource manager session
              vi; /* VISA session
ViChar buffer[512]; /* buffer to hold instrument response
ViUInt32 retCnt; /* number of bytes read from the instrument

int main(int argc, char *argv[])
{
#define CHECK_STATUS(cond, func, status) { \
    if ( cond ) \
    { \

```

```
        fprintf(stderr,"%s failed, status 0x%lX\n",func,status);    \
        return 1;                                                \
    }                                                            \
}

ViStatus status;

(void) argc;
(void) argv;

/* Open default resource manager: */
status = viOpenDefaultRM (&rm);
CHECK_STATUS(status < VI_SUCCESS,"viOpenDefaultRM()",status);

/* Open VISA session to the instrument: */
status = viOpen (rm,RSRC_NAME,VI_NULL,0,&vi);
CHECK_STATUS(status != VI_SUCCESS,"viOpen()",status);

#if INTFC == INTFC_RS232
    /* set RS-232 I/O attributes (transmission parameters): */
    viSetAttribute (vi, VI_ATTR_ASRL_BAUD, RSRC_ATTR_BAUD);
    viSetAttribute (vi, VI_ATTR_ASRL_FLOW_CNTRL, RSRC_ATTR_FLOW_CNTRL);
#endif

    /* Query the instrument's ID string: */
    viPrintf (vi, "*IDN?\n");
    /* Read the ID string into buffer: */
    viRead (vi, buffer, 256, &retCnt);
    /* Print contents of the buffer on screen: */
    printf (buffer);
    /* Bring the instrument into default state: */
    viPrintf (vi, "*RST\n");

    /* Close VISA session to the instrument: */
    status = viClose (vi);
    CHECK_STATUS(status != VI_SUCCESS,"viClose(vi)",status);

    /* Close session to the default resource manager: */
    status = viClose(rm);
    CHECK_STATUS(status != VI_SUCCESS,"viClose(rm)",status);

    return 0;

#undef CHECK_STATUS
}
```

Perform Simple Power Measurement

Valid signals should be connected to the input channels of instrument, otherwise the measured value can be invalid.

```
/*
 * MEASURE POWER (wait synchronously)
 *
 * This program will open VISA session to the instrument and perform a simple
```

```

* power measurement. It dwells in viRead function while waiting
* for measurement.
*
* The time it will take to measure the power depends on the voltage and
* current signals attached to the instrument. Default averaging interval
* (equals to measurement time) is 300 ms. In the case viRead times out
before
* the measured power is returned, VISA timeout must be increased. Use
* function viSetAttribute to change the timeout value (default is 10 sec).
*/

#include <visa.h>
#include <stdio.h>

#define INTFC_RS232 1 /* RS-232 interface */
#define INTFC_GPIB 2 /* GPIB / IEEE 488.2 interface */
#define INTFC_LAN 3 /* ethernet / IEEE 802.3 interface */
#define INTFC_USB 4 /* USB interface (Virtual COM Port) */

#if 1
#define INTFC INTFC_RS232
#elif 1
#define INTFC INTFC_GPIB
#elif 1
#define INTFC INTFC_LAN
#else
#define INTFC INTFC_USB
#endif

#if INTFC == INTFC_RS232
# define RSRC_NAME "ASRL1" /* COM1 */
# define RSRC_ATTR_BAUD 115200 /* baud rate */
# define RSRC_ATTR_FLOW_CNTRL VI_ASRL_FLOW_RTS_CTS /* flow control */
#elif INTFC == INTFC_GPIB
# define RSRC_NAME "GPIB::5"
#elif INTFC == INTFC_LAN
# define RSRC_NAME "TCPIP::192.168.2.251::23::SOCKET"
#elif INTFC == INTFC_USB
# define RSRC_NAME "ASRL2" /* COM2 */
#else
#error 'INTFC': unsupported value
#endif

ViSession rm, /* Default resource manager session
vi; /* VISA session
ViChar buffer[512]; /* buffer to hold instrument response
ViUInt32 retCnt; /* number of bytes read from the instrument

#if WIN32
#include <windows.h>
static void Delay(double seconds)
{
Sleep((DWORD)(seconds * 1000));
}
#endif

```

```
int main(int argc, char *argv[])
{
#define CHECK_STATUS(cond, func, status)      {                               \
    if ( cond )                               \
    {                                           \
        fprintf(stderr, "%s failed, status 0x%lX\n", func, status); \
        return 1;                               \
    }                                           \
}

    ViStatus status;

    (void) argc;
    (void) argv;

    /* Open default resource manager: */
    status = viOpenDefaultRM (&rm);
    CHECK_STATUS(status < VI_SUCCESS, "viOpenDefaultRM()", status);

    /* Open VISA session to the instrument with GPIB address 5: */
    status = viOpen (rm, RSRC_NAME, VI_NULL, 0, &vi);
    CHECK_STATUS(status != VI_SUCCESS, "viOpen()", status);

    /* Set timeout to 10 seconds: */
    status = viSetAttribute (vi, VI_ATTR_TMO_VALUE, 10000);
    CHECK_STATUS(status != VI_SUCCESS, "viSetAttribute()", status);

#if INTFC == INTFC_RS232
    /* set RS-232 I/O attributes (transmission parameters): */
    viSetAttribute (vi, VI_ATTR_ASRL_BAUD, RSRC_ATTR_BAUD);
    viSetAttribute (vi, VI_ATTR_ASRL_FLOW_CNTRL, RSRC_ATTR_FLOW_CNTRL);
#endif

#if 0
    /* enable termination character for read operations: */
    viSetAttribute (vi, VI_ATTR_TERMCHAR, '\n');
    viSetAttribute (vi, VI_ATTR_TERMCHAR_EN, VI_TRUE);
#endif
#if INTFC == INTFC_RS232
    viSetAttribute (vi, VI_ATTR_ASRL_END_IN, VI_ASRL_END_TERMCHAR);
#endif
#endif

    viPrintf (vi, "*RST\n");    /* Bring the instrument into a default state
*/

    Delay (3.0);    /* Wait 3 seconds for autorange to complete */
    viPrintf (vi, "*TRG\n");    /* Trigger a measurement */
    Delay (2.0);    /* Wait 2 seconds */
    viPrintf (vi, "DATA? \\"POW:ACT\\"\\n");    /* Query the power */
    memset(buffer, 0, sizeof(buffer));    /* Clear buffer */
    viRead (vi, buffer, 256, &retCnt);    /* Read value */
    printf(buffer);    /* Print the value on the screen */

    /* Close VISA session to the instrument: */
    status = viClose (vi);
```



```

CHECK_STATUS(status != VI_SUCCESS, "viClose(vi)", status);

/* Close session to the default resource manager: */
status = viClose(rm);
CHECK_STATUS(status != VI_SUCCESS, "viClose(rm)", status);

return 0;

#undef CHECK_STATUS
}

```

U, I, P Measurement

This example will configure the instrument to measure power, voltage and current on three-phase system 3 x 400V/50Hz and reads the measurements.

```

/*
 * MEASURE U, I, P (wait synchronously)
 *
 * This example will configure the instrument to measure power, voltage
 * and current on three-phase system 3 x 400V/50Hz and reads the
 * measurements.
 *
 * The time it will take to finish the measurement is 1 s (averaging time).
 * The query DATA? does not wait for the measurement to be completed, so it
 * would return whatever values are available at a moment. The delay of 2
 * seconds gives the instrument enough time to finish the measurement before
 * reading data.
 */

#include <visa.h>
#include <stdio.h>

#define INTFC_RS232 1 /* RS-232 interface */
#define INTFC_GPIB 2 /* GPIB / IEEE 488.2 interface */
#define INTFC_LAN 3 /* ethernet / IEEE 802.3 interface */
#define INTFC_USB 4 /* USB interface (Virtual COM Port) */

#if 1
#define INTFC INTFC_RS232
#elif 1
#define INTFC INTFC_GPIB
#elif 1
#define INTFC INTFC_LAN
#else
#define INTFC INTFC_USB
#endif

#if INTFC == INTFC_RS232
# define RSRC_NAME "ASRL1" /* COM1 */
# define RSRC_ATTR_BAUD 115200 /* baud rate */
# define RSRC_ATTR_FLOW_CNTRL VI_ASRL_FLOW_RTS_CTS /* flow control */
#elif INTFC == INTFC_GPIB
# define RSRC_NAME "GPIB::5"

```

```
#elif INTFC == INTFC_LAN
#   define RSRC_NAME           "TCPIP::192.168.2.251::23::SOCKET"
#elif INTFC == INTFC_USB
#   define RSRC_NAME           "ASRL2"                /* COM2 */
#else
#error 'INTFC': unsupported value
#endif

ViSession  rm,           // Default resource manager session
           vi;           // VISA session
ViChar     buffer[512]; // buffer to hold instrument response
ViUInt32   retCnt;      // number of bytes read from the instrument

#if WIN32
#include <windows.h>
static void Delay(double seconds)
{
    Sleep((DWORD)(seconds * 1000));
}
#endif

int main(int argc, char *argv[])
{
#define CHECK_STATUS(cond, func, status)      {                               \
    if ( cond )                               \
    {                                           \
        fprintf(stderr, "%s failed, status 0x%lX\n", func, status); \
        return 1;                               \
    }                                           \
}

    ViStatus status;

    (void) argc;
    (void) argv;

    /* Open default resource manager: */
    status = viOpenDefaultRM (&rm);
    CHECK_STATUS(status < VI_SUCCESS, "viOpenDefaultRM()", status);

    /* Open VISA session to the instrument with GPIB address 5: */
    status = viOpen (rm, RSRC_NAME, VI_NULL, 0, &vi);
    CHECK_STATUS(status != VI_SUCCESS, "viOpen()", status);

    /* Set timeout to 10 seconds: */
    status = viSetAttribute (vi, VI_ATTR_TMO_VALUE, 10000);
    CHECK_STATUS(status != VI_SUCCESS, "viSetAttribute()", status);

#if INTFC == INTFC_RS232
    /* set RS-232 I/O attributes (transmission parameters): */
    viSetAttribute (vi, VI_ATTR_ASRL_BAUD, RSRC_ATTR_BAUD);
    viSetAttribute (vi, VI_ATTR_ASRL_FLOW_CNTRL, RSRC_ATTR_FLOW_CNTRL);
#endif

    /* Bring the instrument into a default state: */
```

```

viPrintf (vi, "*RST\n");
/* Select three wattmeter configuration: */
viPrintf (vi, "ROUT:SYST \"3W\"\n");
/* SYNC source = voltage phase 1: */
viPrintf (vi, "SYNC:SOUR VOLT1\n");
/* Set voltage range on voltage channel 1 to 300 V: */
viPrintf (vi, "VOLT1:RANG 300.0\n");
/* Set current channel 1 to autorange: */
viPrintf (vi, "CURR1:RANG:AUTO ON\n");
/* Set averaging time to 1 second: */
viPrintf (vi, "APER 1.0\n");
/* Select U, I, P measurement: */
viPrintf (vi, "FUNC \"VOLT1\", \"CURR1\", \"POW1:ACT\"\n");
/* Run continuous measurements: */
viPrintf (vi, "INIT:CONT ON\n");

Delay (2.0);          /* Wait 2 seconds */

viPrintf (vi, "DATA?\n");          /* Query the measurement */
memset(buffer,0,sizeof(buffer));  /* Clear buffer */
viRead (vi, buffer, 256, &retCnt); /* Read values */
printf (buffer);                  /* Print the value on the screen */

/* Close VISA session to the instrument: */
status = viClose (vi);
CHECK_STATUS(status != VI_SUCCESS,"viClose(vi)",status);

/* Close session to the default resource manager: */
status = viClose(rm);
CHECK_STATUS(status != VI_SUCCESS,"viClose(rm)",status);

return 0;

#undef CHECK_STATUS
}

```

Continuous Power Measurement

Valid signals should be connected to the input channels of instrument, otherwise the measured value can be invalid.

```

/*
 * CONTINUOUS POWER MEASUREMENT
 *
 * This program will open VISA session to the instrument and perform
continuous
 * power measurement. Bit 10 of the operating status register is used
 * to determine end of averaging interval. This way it is assured that
 * the newest measurement is immediately fetched and displayed.
 *
 * The time it will take to measure the power depends on the voltage and
 * current signals attached to the instrument. Default averaging interval
 * (equals to measurement time) is 300 ms. In the case viRead times out
before

```

```
* the measured power is returned, VISA timeout must be increased.
* Use function viSetAttribute to change the timeout value (default is 10
sec).
*/

#include <visa.h>
#include <stdio.h>

#define INTFC_RS232 1 /* RS-232 interface */
#define INTFC_GPIB 2 /* GPIB / IEEE 488.2 interface */
#define INTFC_LAN 3 /* ethernet / IEEE 802.3 interface */
#define INTFC_USB 4 /* USB interface (Virtual COM Port) */

#if 1
#define INTFC INTFC_RS232
#elif 1
#define INTFC INTFC_GPIB
#elif 1
#define INTFC INTFC_LAN
#else
#define INTFC INTFC_USB
#endif

#if INTFC == INTFC_RS232
# define RSRC_NAME "ASRL1" /* COM1 */
# define RSRC_ATTR_BAUD 115200 /* baud rate */
# define RSRC_ATTR_FLOW_CNTRL VI_ASRL_FLOW_RTS_CTS /* flow control */
#elif INTFC == INTFC_GPIB
# define RSRC_NAME "GPIB::5"
#elif INTFC == INTFC_LAN
# define RSRC_NAME "TCPIP::192.168.2.251::23::SOCKET"
#elif INTFC == INTFC_USB
# define RSRC_NAME "ASRL2" /* COM2 */
#else
#error 'INTFC': unsupported value
#endif

ViSession rm, /* Default resource manager session
vi; /* VISA session
ViChar buffer[512]; /* buffer to hold instrument response
ViUInt32 retCnt; /* number of bytes read from the instrument
ViUInt16 opStat;

#if WIN32
#include <windows.h>
static void Delay(double seconds)
{
Sleep((DWORD)(seconds * 1000));
}
#endif

int main(int argc, char *argv[])
{
#define CHECK_STATUS(cond, func, status) { \
if ( cond ) \
```

```

        {
            fprintf(stderr,"%s failed, status 0x%lX\n",func,status);
            return 1;
        }
    }

ViStatus status;

(void) argc;
(void) argv;

/* Open default resource manager: */
status = viOpenDefaultRM (&rm);
CHECK_STATUS(status < VI_SUCCESS,"viOpenDefaultRM()",status);

/* Open VISA session to the instrument with GPIB address 5: */
status = viOpen (rm,RSRC_NAME,VI_NULL,0,&vi);
CHECK_STATUS(status != VI_SUCCESS,"viOpen()",status);

/* Set timeout to 10 seconds: */
status = viSetAttribute (vi, VI_ATTR_TMO_VALUE, 10000);
CHECK_STATUS(status != VI_SUCCESS,"viSetAttribute()",status);

#if INTFC == INTFC_RS232
    /* set RS-232 I/O attributes (transmission parameters): */
    viSetAttribute (vi, VI_ATTR_ASRL_BAUD, RSRC_ATTR_BAUD);
    viSetAttribute (vi, VI_ATTR_ASRL_FLOW_CNTRL, RSRC_ATTR_FLOW_CNTRL);
#endif

    viPrintf (vi, "*RST\n");    /* Bring the instrument into a default state
*/
    Delay (3.0);                /* Wait 3 seconds for autorange to complete
*/
    viPrintf (vi, "*TRG\n");    /* Trigger a measurement */
    Delay (2.0);                /* Wait 2 seconds */

    while (1)
    {
        opStat = 0;
        viPrintf (vi, "CLS\n");    /* Clear previously detected event */
        do                        /* Run this loop until bit 10 is set */
        {
            /* Query the OPER:STAT register value: */
            viPrintf (vi, "STAT:OPER?\n");
            memset(buffer,0,sizeof(buffer));    /* Clear buffer */
            viRead (vi, buffer, 256, &retCnt); /* Read value */
            opStat = atoi (buffer);
        }
        #if 0
            printf("opStat: 0x%X\n", (unsigned int)opStat);
        #endif
    } while ((opStat & 0x400) == 0);

    viPrintf (vi, "DATA? \\"POW\\"n");    /* Query the power measurement */
    viRead (vi, buffer, 256, &retCnt); /* Read value */

```

```
        printf (buffer);          /* Print the value on the screen */
    }

    /* Close VISA session to the instrument: */
    status = viClose (vi);
    CHECK_STATUS(status != VI_SUCCESS, "viClose(vi)", status);

    /* Close session to the default resource manager: */
    status = viClose(rm);
    CHECK_STATUS(status != VI_SUCCESS, "viClose(rm)", status);

    return 0;

#undef CHECK_STATUS
}
```

U, I, P Measurement over Ethernet Interface without VISA Library

This example will configure the instrument to measure power, voltage and current on three-phase system 3 x 400V/50Hz and reads the measurements.

```
/*
 * MEASURE U, I, P (wait synchronously)
 *
 * This example will configure the instrument to measure power, voltage
 * and current on three-phase system 3 x 400V/50Hz and reads the
 * measurements.
 *
 * The time it will take to finish the measurement is 1 s (averaging time).
 * The query DATA? does not wait for the measurement to be completed, so it
 * would return whatever values are available at a moment. The delay of 2
 * seconds gives the instrument enough time to finish the measurement before
 * reading data.
 */

#if WIN32
#define WIN 1
#endif

#if WIN
#if !defined(_MFC_VER)      /* !MFC (!<afx.h>) */
#include <winsock2.h>
#include <windows.h>
#endif /* !_MFC_VER */
#endif
#include <stdio.h>

#define HOST    "192.168.2.251"
#define PORT    23

#if WIN
#define SOCKET_HANDLE_FMT_PFX    ""
```

```

#define SOCKET_HANDLE_FMT      "u"      /* "%u" - 'typedef u_int SOCKET' */
typedef SOCKET socket_handle_t;
#endif

typedef struct {
    socket_handle_t h;
} *socket_t;

/*****
**/
static void Delay(double seconds)
{
    Sleep((DWORD)(seconds * 1000));
}

/*****
**/
void wsa_error(char *func,int error)
{
    fprintf(stderr,"%s() failed, error %d\n",
            func,error == -1 ? WSAGetLastError() : error);
}

/*****
**/
int socket_setup(void)
{
#ifdef WIN

    WSADATA wsaData;
    int wsaerrno;

    /*
     * Initialize Windows Socket DLL
     */
    if ( (wsaerrno = WSASStartup(
        MAKEWORD(1,1), /* at least version 1.1 */
        &wsaData)) != 0 )
    {
        wsa_error("WSAStartup",wsaerrno);
        return -1;
    }

#endif /* WIN */

    return 0; /* OK */
}

/*****
**/
int socket_cleanup(void)
{
#ifdef WIN
    if ( WSACleanup() == SOCKET_ERROR )
        wsa_error("WSACleanup",-1);
#endif
}

```

```
#endif

    return 0;    /* OK */
}

/*****
**/
socket_t socket_create(void)
{
    socket_handle_t sh;
    socket_t s;

    sh = socket(AF_INET,SOCK_STREAM,0);
#ifdef WIN
    if ( sh == INVALID_SOCKET )
    {
        wsa_error("socket",-1);
        return NULL;
    }
#endif

    s = calloc(1,sizeof(*s));
    if ( !s )
        return NULL;

    s->h = sh;

    return s;    /* OK */
}

/*****
**/
int socket_connect(socket_t s,struct sockaddr *addr,int addrlen)
{
    int ret = 0;    /* OK */

#ifdef WIN
    if ( connect(s->h,addr,addrlen) == SOCKET_ERROR )
    {
        wsa_error("connect",-1);
        return -1;
    }
#endif

    return 0;    /* OK */
}

/*****
**/
int socket_recv(socket_t s,void *buf,int len,int flags)
{
    register int l;

#ifdef WIN
    l = recv(s->h,buf,len,flags);
```



```

        if ( l == SOCKET_ERROR )
        {
            wsa_error("recv",-1);
            return -1;
        }
    #endif

    return l;
}

/*****
**/
int socket_send(socket_t s,void *buf,int len,int flags)
{
    register int slen; /* sent length */

    #if WIN
        slen = send(s->h,buf,len,flags);
        if ( slen == SOCKET_ERROR )
        {
            wsa_error("send",-1);
            return -1;
        }
    #endif

    return slen;
}

/*****
**/
int socket_puts(socket_t s,char *str)
{
    char buf[1024];

    strcpy(buf,str);
    strcat(buf,"\n");
    if ( socket_send(s,buf,strlen(buf),0) < 0 )
        return -1;

    return 0;
}

/*****
**/
int socket_gets(socket_t s,char *str)
{
    char buf[1024];
    char *p;

    if ( socket_recv(s,buf,sizeof(buf),0) < 0 )
        return -1;

    if ( (p = memchr(buf,'\n',sizeof(buf))) != NULL )
    {
        if ( p > buf && p[-1] == '\r' )

```

```
        p--;
        *p = '\0';
    }
    else
        buf[sizeof(buf)-1] = '\0';

    strcpy(str,buf);

    return strlen(str);
}

/*****
**/
int main(int argc,char *argv[])
{
    socket_t s;
    struct sockaddr_in saddr;
    struct sockaddr_in *addr_in = (struct sockaddr_in *)&saddr;
    char buffer[1024];

    /* socket (TCP/IP) API initialization: */
    if ( socket_setup() < 0 )
        return 1;

    /*
     * Connect to the instrument:
     */
    /* set destination IP address and TCP port: */
    memset(addr_in,0,sizeof(struct sockaddr_in));
    addr_in->sin_family = AF_INET;
    addr_in->sin_port = htons(PORT);
    addr_in->sin_addr.s_addr = inet_addr(HOST);
    /* create socket: */
    s = socket_create();
    if ( !s )
        return 1;
#if 0
    fprintf(stderr,"socket_connect() ... \n");
#endif
    if ( socket_connect(s,(struct sockaddr *)&saddr,sizeof(saddr)) < 0 )
        return 1;
#if 0
    fprintf(stderr,"socket_connect(): done \n");
#endif
#if 0
    if ( socket_puts(s,"*IDN?") < 0 )
        return 1;
    if ( socket_gets(s,buffer) < 0 )
        return 1;
    puts(buffer);
#endif

    /* Bring the instrument into a default state: */
    socket_puts(s,"*RST");
}
```

```

/* Select three wattmeter configuration: */
socket_puts(s,"ROUT:SYST \"3W\"");
/* SYNC source = voltage phase 1: */
socket_puts(s,"SYNC:SOUR VOLT1");
/* Set voltage range on voltage channel 1 to 300 V: */
socket_puts(s,"VOLT1:RANG 300.0");
/* Set current channel 1 to autorange: */
socket_puts(s,"CURR1:RANG:AUTO ON");
/* Set averaging time to 1 second: */
socket_puts(s,"APER 1.0");
/* Select U, I, P measurement: */
socket_puts(s,"FUNC \"VOLT1\", \"CURR1\", \"POW1:ACT\"");
/* Run continuous measurements: */
socket_puts(s,"INIT:CONT ON");

Delay(2.0);          /* Wait 2 seconds */

socket_puts(s,"DATA?");          /* Query the measurement */
memset(buffer,0,sizeof(buffer)); /* Clear buffer */
socket_gets(s,buffer);          /* Read values */
puts(buffer);                  /* Print the value on the screen */

socket_cleanup();

return 0;
}

/*****
**/

```

U, I, P Measurement over RS-232 Interface without VISA Library

This example will configure the instrument to measure power, voltage and current on three-phase system 3 x 400V/50Hz and reads the measurements.

```

/*
 * MEASURE U, I, P (wait synchronously)
 *
 * This example will configure the instrument to measure power, voltage
 * and current on three-phase system 3 x 400V/50Hz and reads the
 * measurements.
 *
 * The time it will take to finish the measurement is 1 s (averaging time).
 * The query DATA? does not wait for the measurement to be completed, so it
 * would return whatever values are available at a moment. The delay of 2
 * seconds gives the instrument enough time to finish the measurement before
 * reading data.
 */

#if WIN32
#define WIN 1
#endif

```

```
#if WIN
#if !defined(_MFC_VER)      /* !MFC (!<afx.h>) */
#include <windows.h>
#endif /* !_MFC_VER */
#endif
#include <stdio.h>

/*
 * "\\.\com<num>" in order to support "COM10" and above.
 *
 * More info: MSKB article Q115831:
 *
 * http://support.microsoft.com/default.aspx?scid=kb;EN-US;q115831
 */
#define SIO_PORT            "\\.\com1"
#define SIO_BAUDRATE        115200

#define SIO_INPUT_BUFSIZE  4096
#define SIO_OUTPUT_BUFSIZE 4096

#define MAX(a,b)            ( (a) > (b) ? (a) : (b) )

#if WIN
/* serial port handle ('CreateFile("COMx:",...)'): */
typedef HANDLE              sio_handle_t;
#endif

typedef unsigned char byte;

typedef struct {
    sio_handle_t handle;

    /*
     * I/O buffer (similar to 'FILE'):
     */
    struct {
        byte *base; /* address of allocated buffer */
        byte *ptr;  /* pointer to first available byte in buffer 'base' */
        int size;  /* size in bytes of allocated buffer 'base' */
        int cnt;   /* current number of bytes available in buffer at 'ptr' */
    } buf;
} sio_t;

/*****
**/
static void Delay(double seconds)
{
    Sleep((DWORD)(seconds * 1000));
}

/*****
**/
static void sio_error(char *func)
```

```

{
    fprintf(stderr,"%s() failed, error %ld\n",func,GetLastError());
}

/*****
**/
static int sio_open(sio_t *sio,char *device)
{
    COMMTIMEOUTS timeouts;
    sio_handle_t handle;
    DCB dcb;

    memset(sio,0,sizeof(*sio));

    handle = CreateFile(
        device,                // LPCTSTR lpFileName
        GENERIC_READ | GENERIC_WRITE, // DWORD dwDesiredAccess
        0,                    // DWORD dwShareMode
        NULL,                 // LPSECURITY_ATTRIBUTES
        lpSecurityAttributes
        OPEN_EXISTING,        // DWORD dwCreationDisposition
        0,                   // DWORD dwFlagsAndAttributes
        NULL                 // HANDLE hTemplateFile
    );
    if ( handle == INVALID_HANDLE_VALUE )
    {
        sio_error("CreateFile");
        return -1;
    }
    sio->handle = handle;

    dcb.DCBlength = sizeof(dcb);
    if ( !GetCommState(handle,&dcb) )
    {
        sio_error("GetCommState");
        return -1;
    }

    /*
     * Baud Rate:
     */
    dcb.BaudRate = SIO_BAUDRATE;

    /*
     * Character Size:
     */
    dcb.ByteSize = 8;

    /*
     * Parity:
     */
    dcb.Parity = NOPARITY;
    dcb.fParity = TRUE;

    /*

```

```

    * Stop Bits:
    */
dcb.StopBits = ONESTOPBIT;

/*
 * Hand-shake:
 */
dcb.fRtsControl      = RTS_CONTROL_ENABLE;
dcb.fOutxCtsFlow     = FALSE;
dcb.fDtrControl      = DTR_CONTROL_ENABLE;
dcb.fOutxDsrFlow     = FALSE;
dcb.fDsrSensitivity  = FALSE;
dcb.fOutX             = FALSE;
dcb.fInX             = FALSE;
dcb.fTXContinueOnXoff = FALSE;
dcb.fAbortOnError     = TRUE;
if ( !SetCommState(handle,&dcb) )
{
    sio_error("SetCommState");
    return -1;
}

/*
 * Read timeout: MAXDWORD, 0, 0
 * - read operation is to return immediately with the characters
 *   that have already been received, even if no characters have
 *   been received (i.e. read operation does not block)
 */
timeouts.ReadIntervalTimeout = MAXDWORD;
timeouts.ReadTotalTimeoutMultiplier = 0;
timeouts.ReadTotalTimeoutConstant = 0;
/*
 * Write timeout: 0, n
 * - write operation will not block
 */
timeouts.WriteTotalTimeoutMultiplier = 0;
timeouts.WriteTotalTimeoutConstant = 0;
if ( !SetCommTimeouts(handle,&timeouts) )
{
    sio_error("SetCommTimeouts");
    return -1;
}

/*
 * Set up I/O buffers:
 */
if ( !SetupComm(handle,SIO_INPUT_BUFSIZE,SIO_OUTPUT_BUFSIZE) )
{
    sio_error("SetupComm");
    return -1;
}

sio->buf.size = MAX(SIO_INPUT_BUFSIZE,SIO_OUTPUT_BUFSIZE);
sio->buf.base = malloc(sio->buf.size);
if ( !sio->buf.base)
```

```

        return -1;
        sio->buf.ptr = sio->buf.base;
        sio->buf.cnt = 0;

        return 0;    /* OK */
    }

    /**/
    static int sio_close(sio_t *sio)
    {
        CloseHandle(sio->handle);
        if ( sio->buf.base )
            free(sio->buf.base);
        sio->buf.base = NULL;

        return 0;    /* OK */
    }

    /**/
    static int sio_read(sio_t *sio,byte *buf,int bufsize)
    {
        DWORD l;

        if ( !ReadFile(sio->handle,buf,1,&l,NULL) )
        {
            sio_error("ReadFile");
            return -1;
        }

        return l;
    }

    /**/
    static int sio_write(sio_t *sio,byte *buf,int bufsize)
    {
        DWORD l, len;

        for(len = 0; len < (DWORD)bufsize; len += 1)
        {
            if ( !WriteFile(sio->handle,buf+len,bufsize-len,&l,NULL) )
            {
                sio_error("WriteFile");
                return -1;
            }
        }
        return len;
    }

    /**/
    static int sio_fillbuf(sio_t *sio)
    {

```

```
        register int l;

        l = sio_read(sio,sio->buf.base,sio->buf.size);
        if ( l <= 0 )
            return l;

#ifdef 0
        fprintf(stderr,"sio_fillbuf(): sio_read(): %d\n",l);
#endif

        sio->buf.cnt = l;
        sio->buf.ptr = sio->buf.base;

        return l;
    }

/*****
**/
static int sio_getc(sio_t *sio,int *pchar)
{
    int ret;

    if ( !sio->buf.cnt && (ret = sio_fillbuf(sio)) <= 0 )
        return ret;

    sio->buf.cnt--;
    *pchar = *sio->buf.ptr++;

    return l;    /* OK */
}

/*****
**/
static int sio_gets(sio_t *sio,char *str)
{
    register int len;
    int c, ret;

    for(len = 0; ; )
    {
        if ( (ret = sio_getc(sio,&c)) < 0 )
            return ret;
        if ( ret == 0 )
            Sleep(10); /* no data on input, don't hog CPU */
        else
        {
            if ( c == '\r' )
                continue;
            str[len++] = (char)c;
            if ( c == '\n' )
                break;
        }
    }
    str[len] = '\0';    /* terminate string */
}
```



```

        return 0;    /* OK */
    }

    /**
    ****
    static int sio_puts(sio_t *sio,char *str)
    {
        char buf[1024];

        strcpy(buf,str);
        strcat(buf,"\n");

        return sio_write(sio,(byte *)buf,strlen(buf));
    }

    /**
    ****
    int main(int argc,char *argv[])
    {
        char buffer[1024];
        sio_t sio;

        /*
        * Open connection to the instrument:
        */
        if ( sio_open(&sio,SIO_PORT) < 0 )
            return 1;

    #if 0
        if ( sio_puts(&sio,"*IDN?") < 0 )
            return 1;
        if ( sio_gets(&sio,buffer) < 0 )
            return 1;
        puts(buffer);
    #endif

    #if 1
        /* Bring the instrument into a default state: */
        sio_puts(&sio,"*RST");
    #endif

        /* Select three wattmeter configuration: */
        sio_puts(&sio,"ROUT:SYST \"3W\"");
        /* SYNC source = voltage phase 1: */
        sio_puts(&sio,"SYNC:SOUR VOLT1");
        /* Set voltage range on voltage channel 1 to 300 V: */
        sio_puts(&sio,"VOLT1:RANG 300.0");
        /* Set current channel 1 to autorange: */
        sio_puts(&sio,"CURR1:RANG:AUTO ON");
        /* Set averaging time to 1 second: */
        sio_puts(&sio,"APER 1.0");
        /* Select U, I, P measurement: */
        sio_puts(&sio,"FUNC \"VOLT1\", \"CURR1\", \"POW1:ACT\"");
        /* Run continuous measurements: */
        sio_puts(&sio,"INIT:CONT ON");
    }

```

```
        Delay(2.0);          /* Wait 2 seconds */  
  
/*****  
**/
```